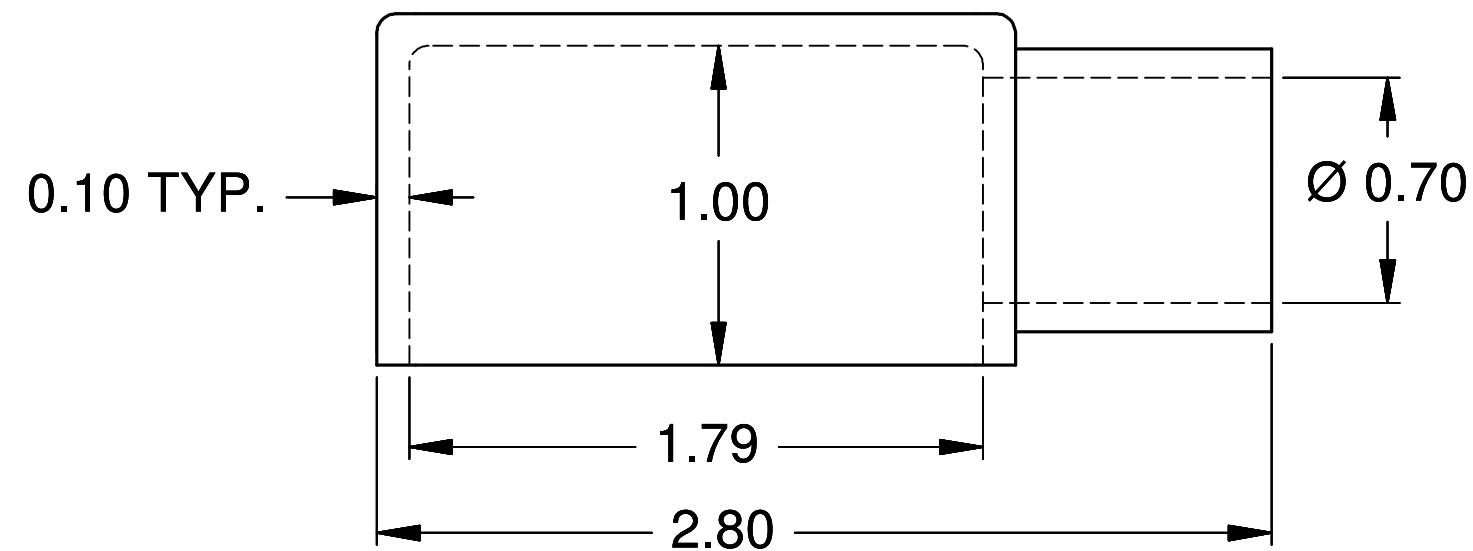
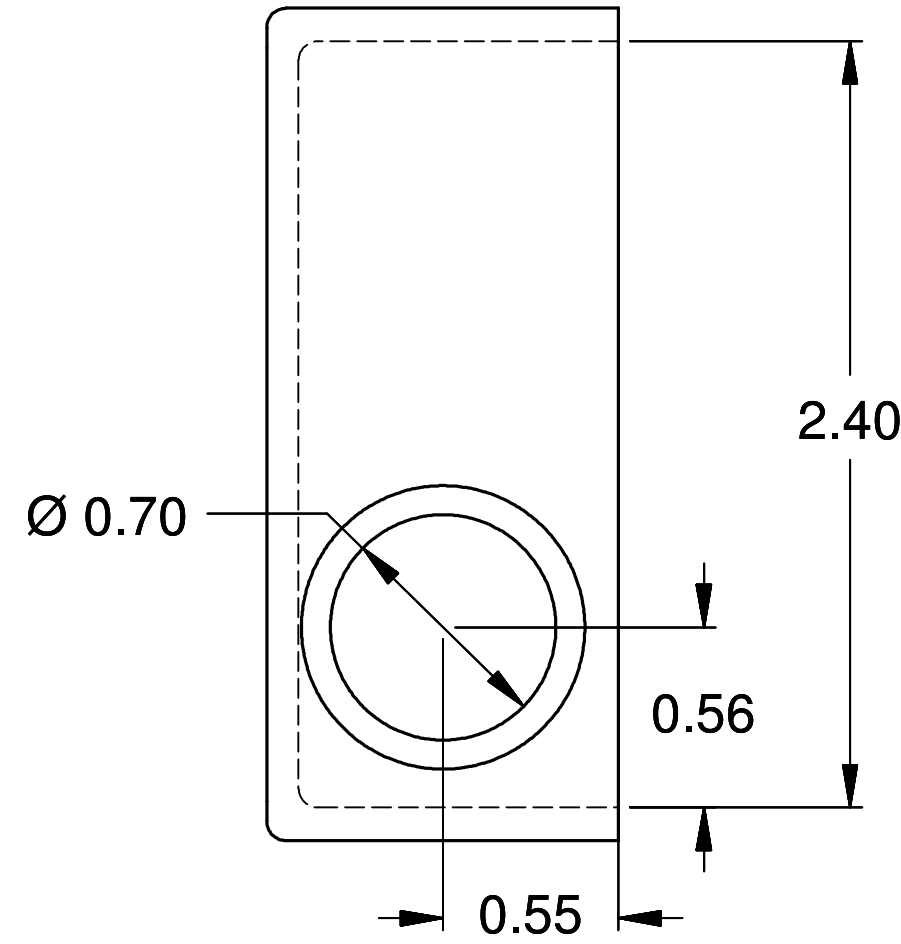
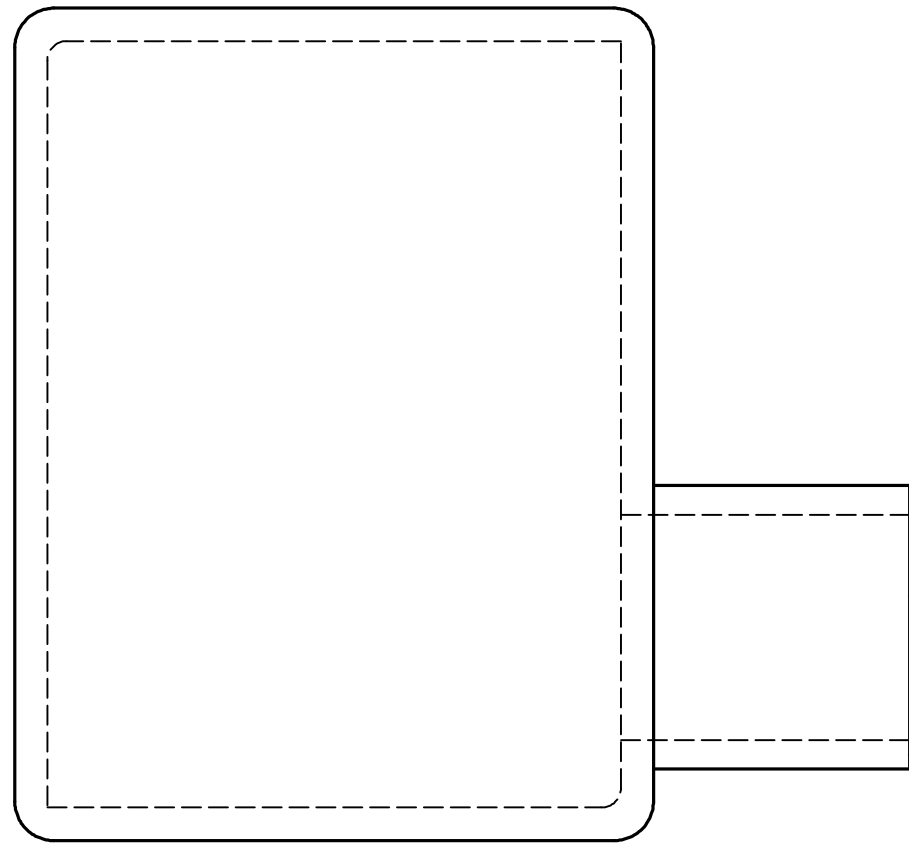


THIS DOCUMENT CONTAINS CONFIDENTIAL AND PROPRIETARY INFORMATION, AND MAY NOT BE USED, COPIED OR DISCLOSED IN WHOLE OR IN PART FOR ANY PURPOSE INCLUDING DESIGN OR MANUFACTURE WITHOUT THE PRIOR WRITTEN CONSENT OF DOYLE MANUFACTURING INC.



REVISION	DESCRIPTION		BY	DATE
DRAWN	DATE	DOYLE MANUFACTURING INC.		
D. WATERS	12/20/2018	1440 HOLLOWAY		
PART NAME	PART NO.	HOLLAND, OHIO 43528		
	BOOT-6-RED			
	BOOT-6-BLK			
CUSTOMER	DESCRIPTION			
SHAMROCK	BATTERY TERMINAL BOOT RIGHT ELBOW			
MATERIAL	SHRINKAGE	JOB #	SHT	
FLEXIBLE PVC			1	
COLOR	UNITS		OF	
RED OR BLACK	INCHES		1	