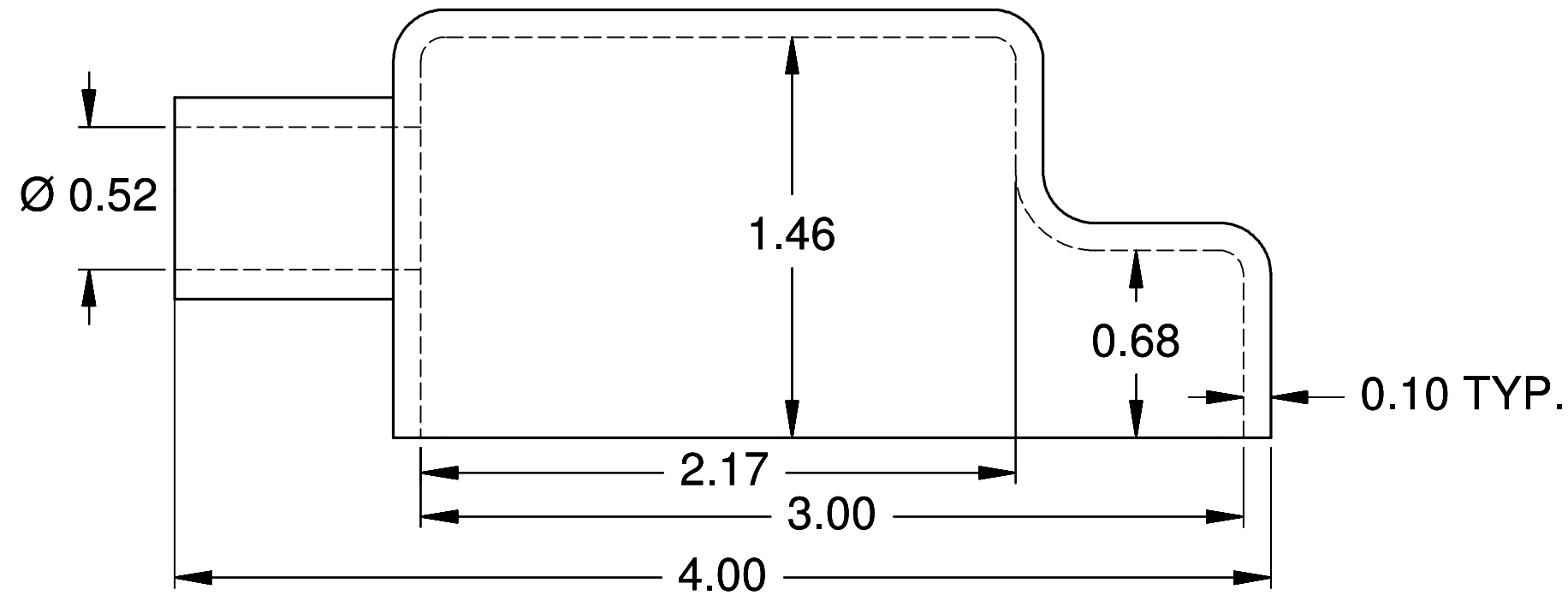
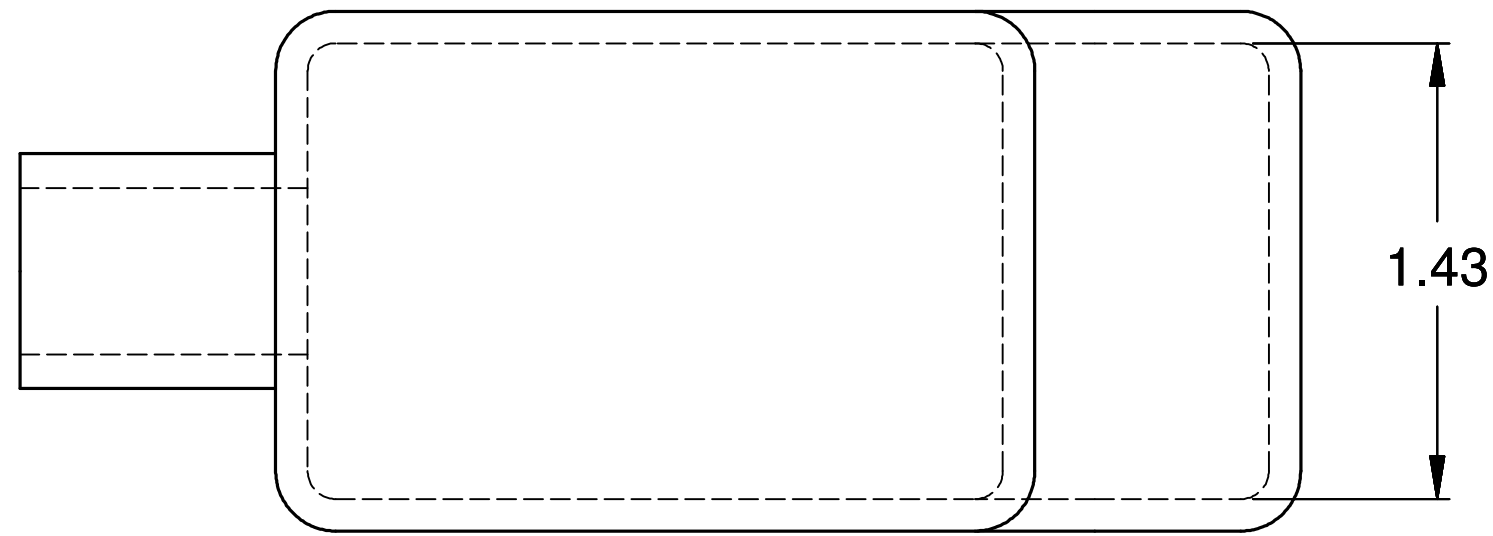
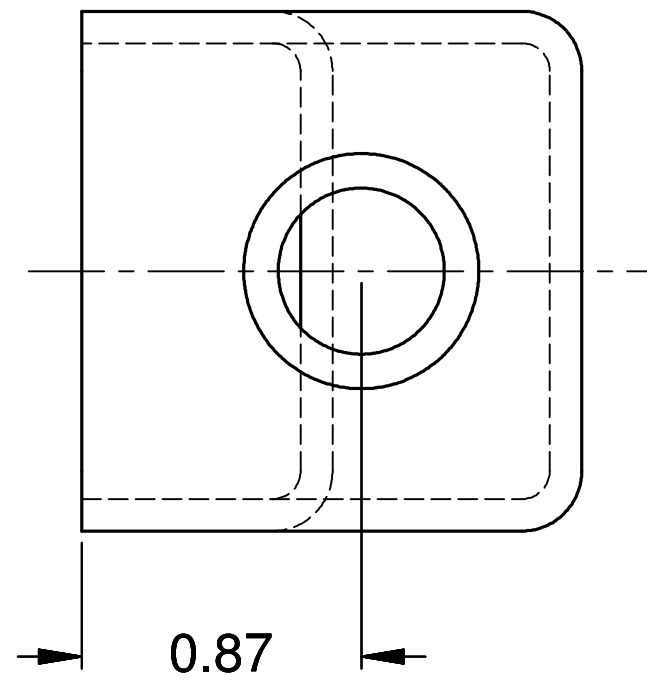


THIS DOCUMENT CONTAINS CONFIDENTIAL AND PROPRIETARY INFORMATION, AND MAY NOT BE USED, COPIED OR DISCLOSED IN WHOLE OR IN PART FOR ANY PURPOSE INCLUDING DESIGN OR MANUFACTURE WITHOUT THE PRIOR WRITTEN CONSENT OF DOYLE MANUFACTURING INC.



REVISION	DESCRIPTION	BY	DATE
DRAWN D. WATERS	DATE 12/20/2018	DOYLE MANUFACTURING INC.	
PART NAME	PART NO. BOOT-2-RED BOOT-2-BLK	1440 HOLLOWAY HOLLAND, OHIO 43528	
CUSTOMER SHAMROCK	DESCRIPTION	BATTERY TERMINAL BOOT #2	
MATERIAL FLEXIBLE PVC	SHRINKAGE	JOB #	SHT 1
COLOR RED OR BLACK	UNITS INCHES		OF 1