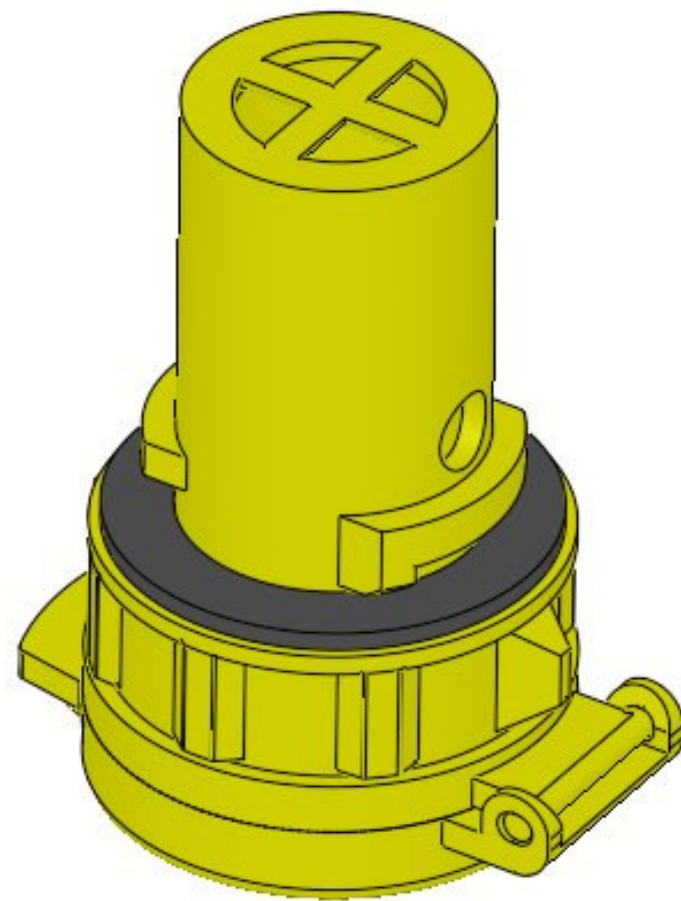
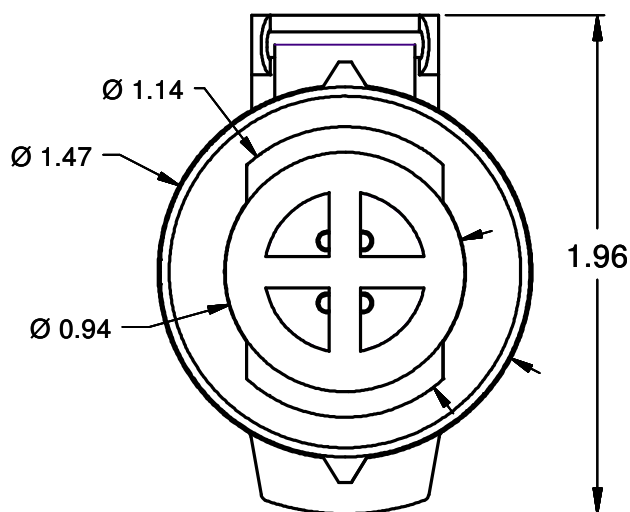
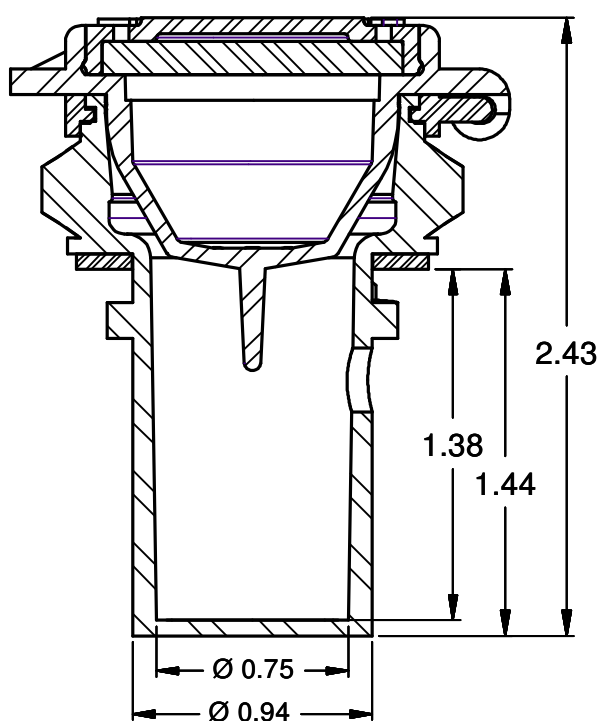
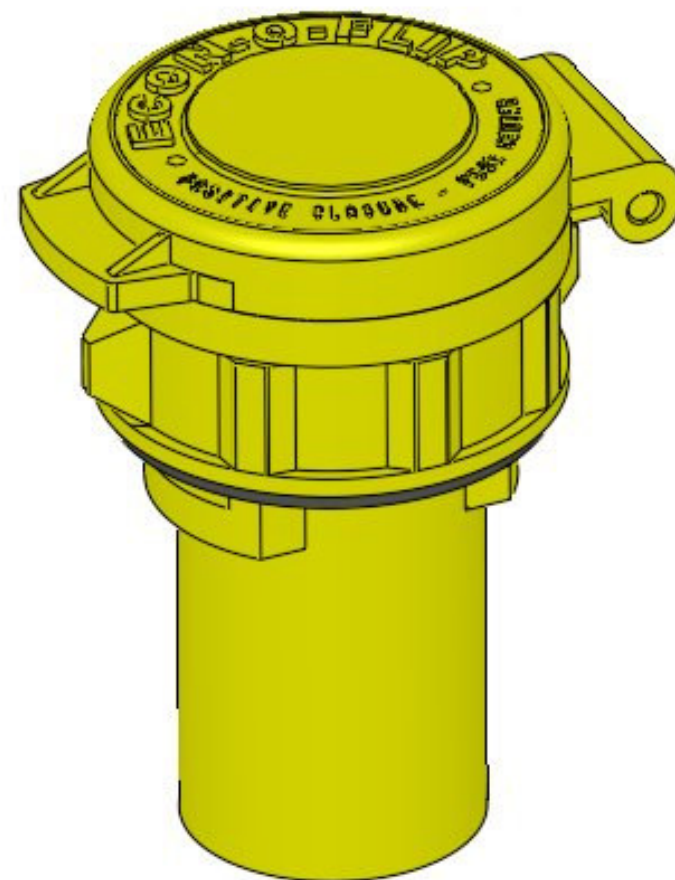
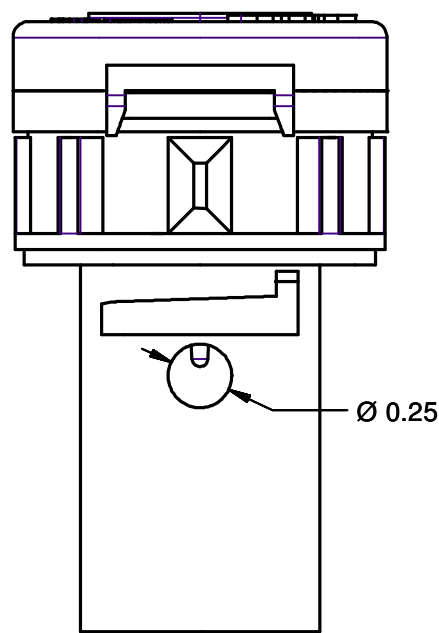
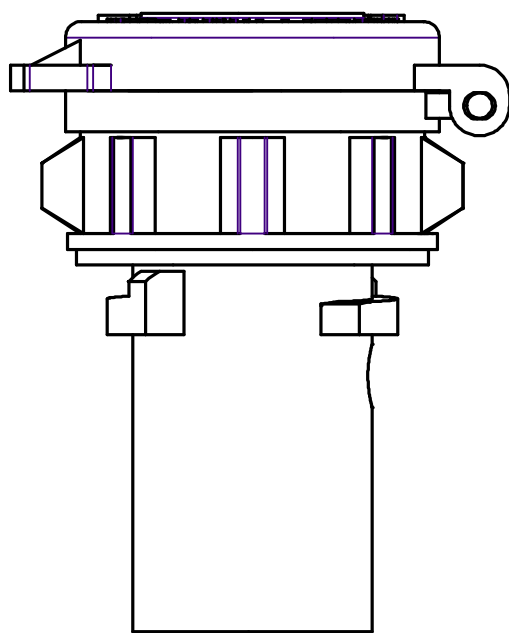
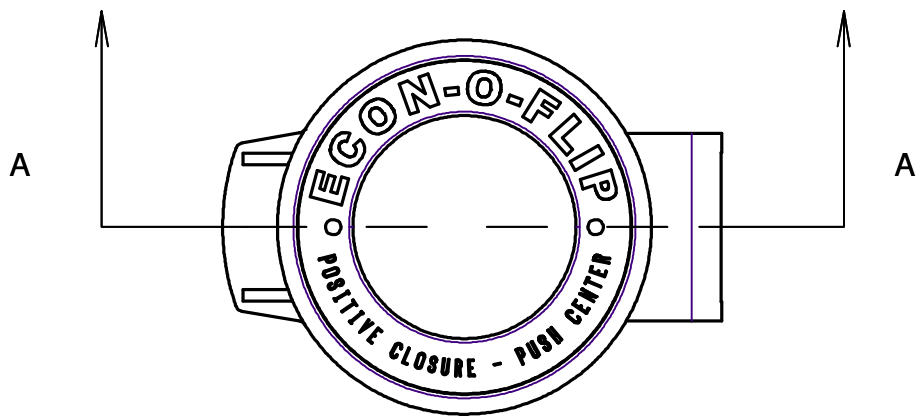


THIS DOCUMENT CONTAINS CONFIDENTIAL AND PROPRIETARY INFORMATION, AND MAY NOT BE USED, COPIED OR DISCLOSED IN WHOLE OR IN PART FOR ANY PURPOSE INCLUDING DESIGN OR MANUFACTURE WITHOUT THE PRIOR WRITTEN CONSENT OF DOYLE MANUFACTURING INC.



REVISION		DESCRIPTION		BY	DATE
CUSTOMER		DRAWN		DATE	
SHAMROCK		DATE		DOYLE MANUFACTURING INC.	
PART NAME		CHECKED		D <sub>M</sub> <sub>1</sub>	
FLIP VENT BODY		DATE		1440 HOLLOWAY	
PART NO.		SCALE		HOLLAND, OHIO 43528	
2095		NONE		DESCRIPTION	
MATERIAL		MATERIAL		#2095 BATTERY VENT CAP	
PP		NO. REQ.		JOB #	
SHRINKAGE		N/A		01-24	
COLOR		HEAT TREAT		SHT	
		UNITS		1	
		INCHES		OF	
				1	