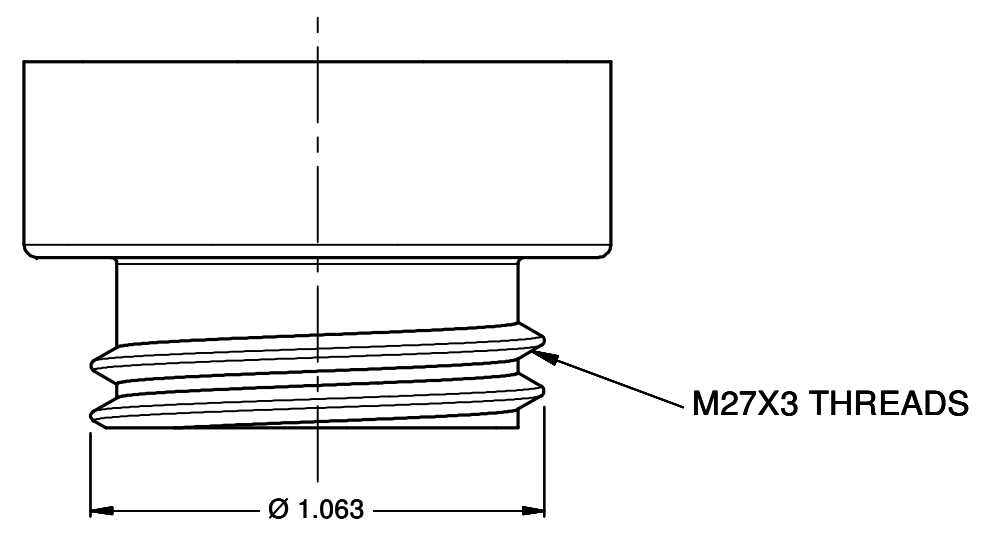


Section A-A



THIS DOCUMENT CONTAINS CONFIDENTIAL AND PROPRIETARY INFORMATION, AND MAY NOT BE USED, COPIED OR DISCLOSED IN WHOLE OR IN PART FOR ANY PURPOSE INCLUDING DESIGN OR MANUFACTURE WITHOUT THE PRIOR WRITTEN CONSENT OF DOYLE MANUFACTURING INC.

REVISION		DESCRIPTION		BY	DATE
DRAWN		DATE		DOYLE SHAMROCK INDUSTRIES	
D. WATERS		1/8/18		1440 HOLLOWAY ROAD	
TOLERANCE UNLESS SPECIFIED				HOLLAND, OHIO 43528	
.X = +/- .060		.XXX = +/- .010		QUALITY CERTIFIED	
.XX = +/- .030		.XXXX = +/- .005		ISO/TS16949:2002	
CUSTOMER		PART NO.		PART NAME	
SHAMROCK		M27X3-SIA		M27X3 SCREW IN ADAPTER	
MATERIAL		SHRINKAGE		JOB #	
PP		.020 IN./IN.		SHT	
COLOR		UNITS		OF	
BLACK		INCHES		1	
				2017-35	
				1	