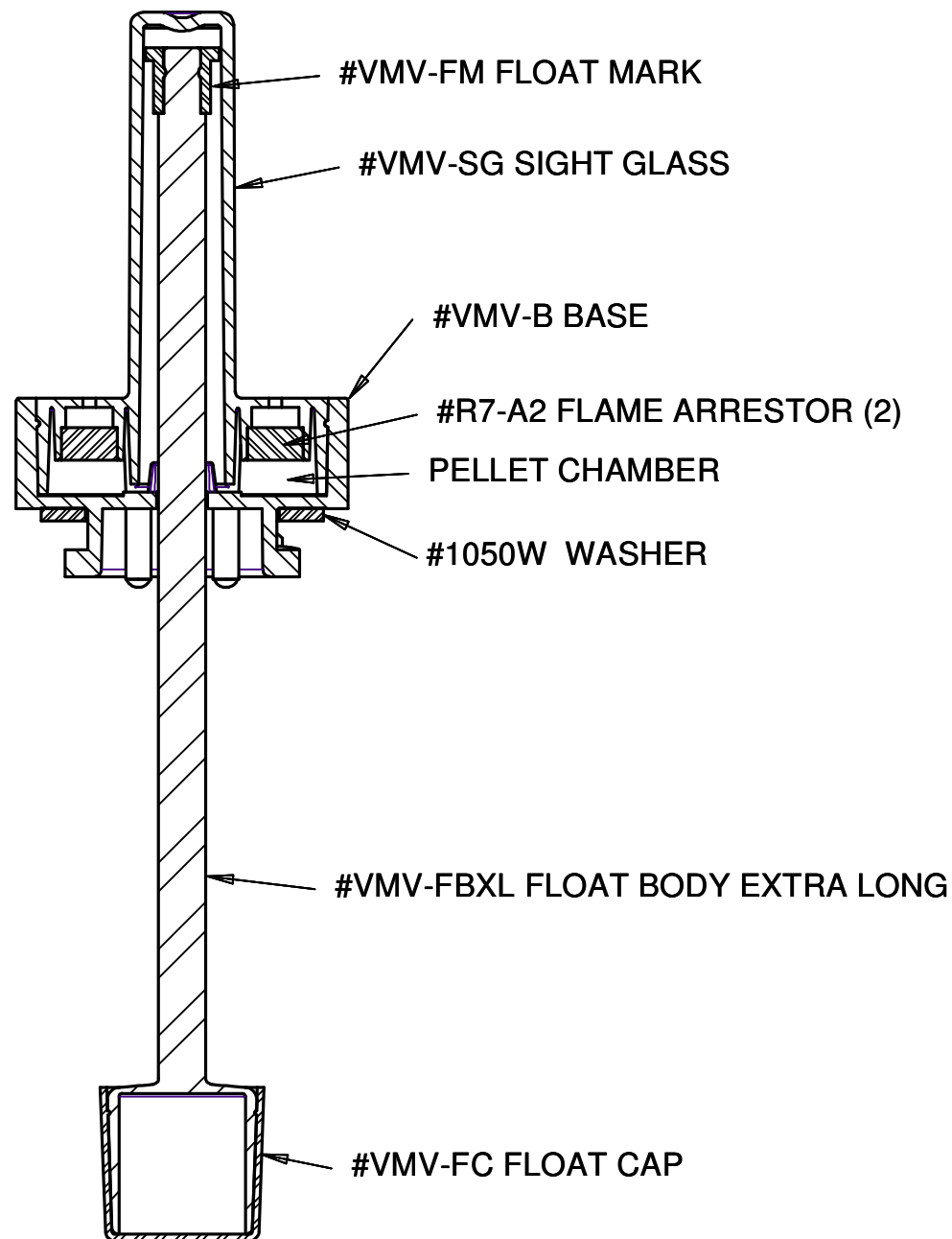


BATTERY WATER LEVEL (FULL)

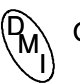
\* THIS DIMENSION CHANGES TO 2.62" WHEN USING OUR #M27X3-SIA THREADED ADAPTER.

PATENT PENDING



**THIS DOCUMENT CONTAINS CONFIDENTIAL AND PROPRIETARY INFORMATION, AND MAY NOT BE USED, COPIED OR DISCLOSED IN WHOLE OR IN PART FOR ANY PURPOSE INCLUDING DESIGN OR MANUFACTURE WITHOUT THE PRIOR WRITTEN CONSENT OF DOYLE MANUFACTURING INC.**

Battery Water Level Indicator #4000600

REVISION	DESCRIPTION	BY	DATE
<p><b>DOYLE MANUFACTURING INC.</b>            1440 HOLLOWAY ROAD HOLLAND, OHIO 43528  QUALITY CERTIFIED ISO/TS16949:2002</p>			
DRAWN D. WATERS TOLERANCE UNLESS SPECIFIED .X = +/- .060 .XX = +/- .030	DATE 1/22/18 .XXX = +/- .010 .XXXX = +/- .005	PART NO. 4000600 PART NAME VISUAL MONITORING VENT 6.00	
CUSTOMER SHAMROCK	MATERIAL SHRINKAGE	JOB #	SHT
COLOR	UNITS INCHES	2017-35, 2017-36	1 OF 1