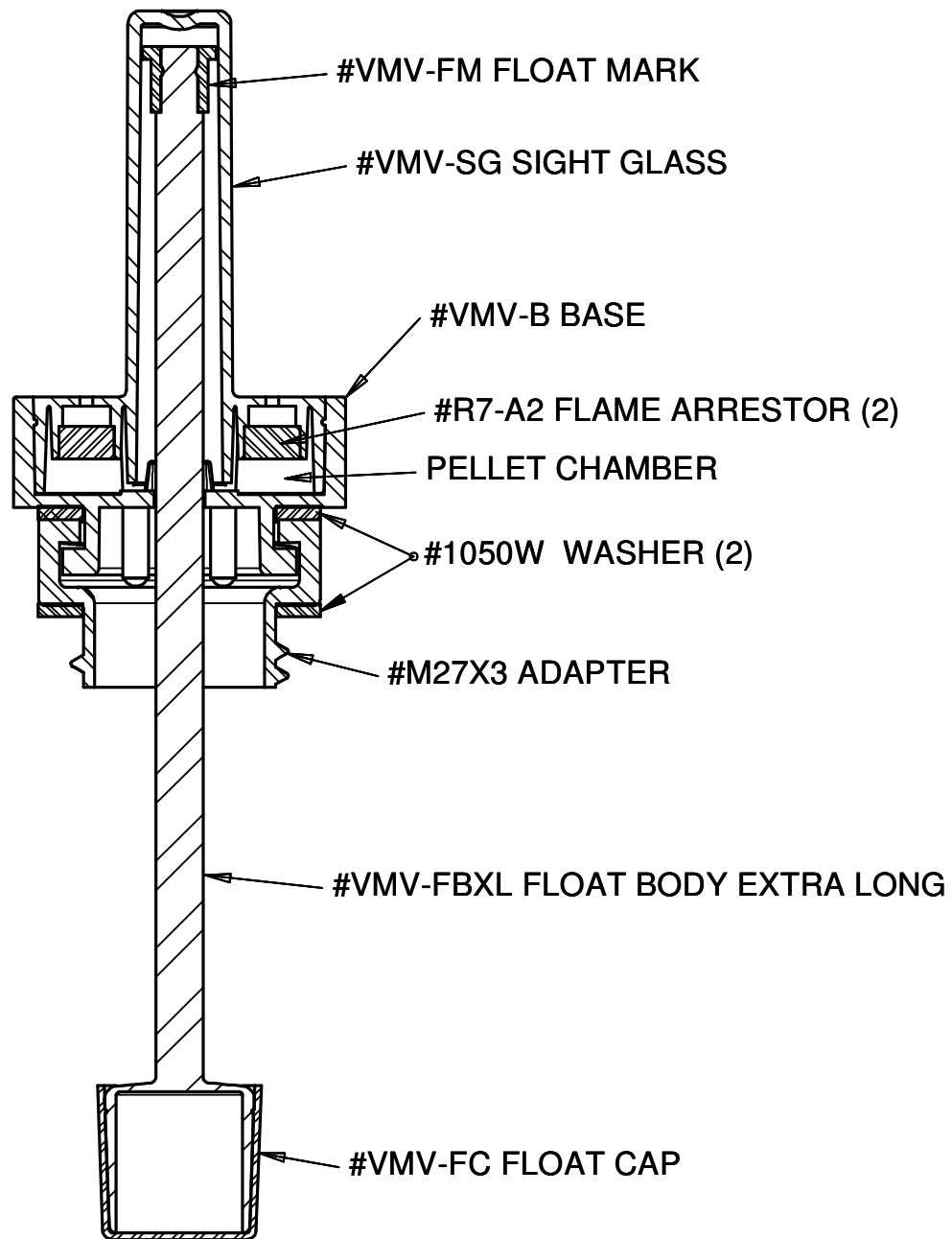
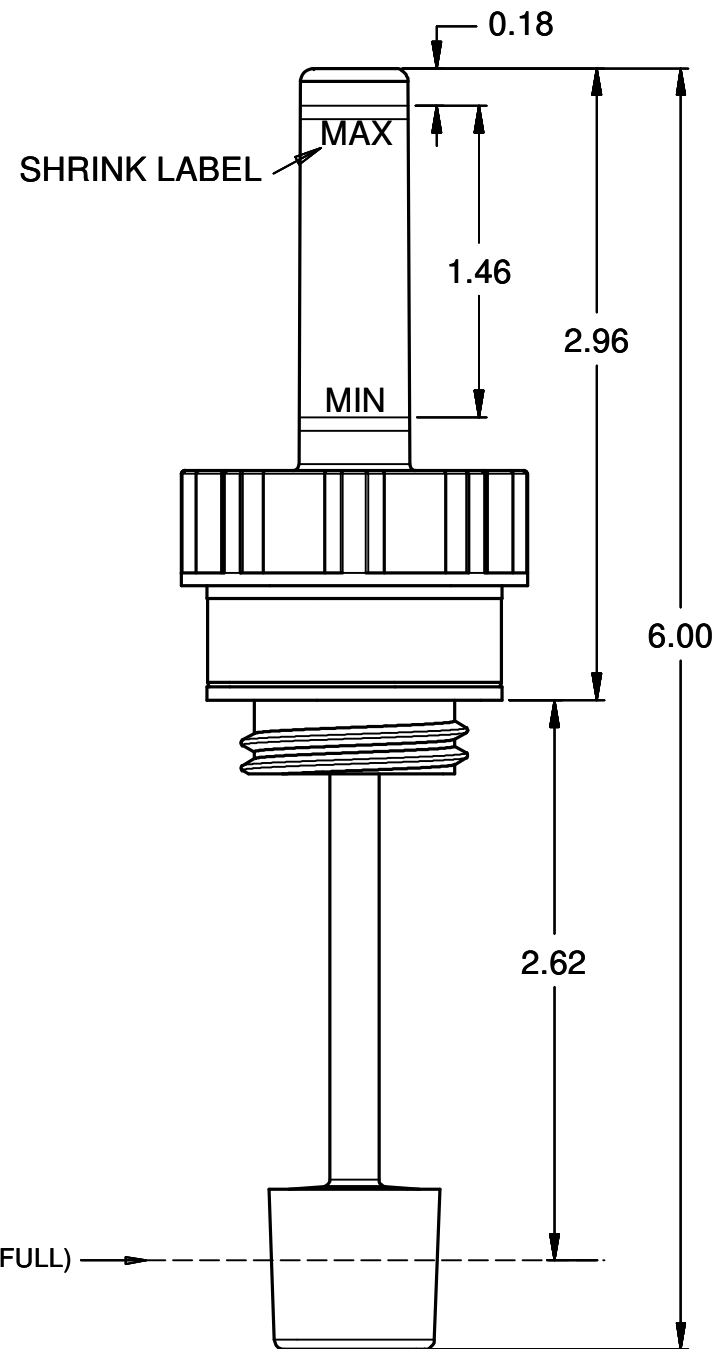


PATENT PENDING



**THIS DOCUMENT CONTAINS CONFIDENTIAL AND PROPRIETARY INFORMATION, AND MAY NOT BE USED, COPIED OR DISCLOSED IN WHOLE OR IN PART FOR ANY PURPOSE INCLUDING DESIGN OR MANUFACTURE WITHOUT THE PRIOR WRITTEN CONSENT OF DOYLE MANUFACTURING INC.**

REVISION	DESCRIPTION	BY	DATE
DRAWN	DATE	<b>DOYLE MANUFACTURING INC.</b>	
D. WATERS	1/22/18	1440 HOLLOWAY ROAD (DM) QUALITY CERTIFIED	
TOLERANCE UNLESS SPECIFIED		HOLLAND, OHIO 43528 ISO/TS16949:2002	
.X = +/- .060			
.XXX = +/- .010			
.XX = +/- .030			
.XXXX = +/- .005			
CUSTOMER	PART NO.	PART NAME	
SHAMROCK	4000600	VISUAL MONITORING VENT 6.00	
MATERIAL	SHRINKAGE	JOB #	SHT
		<b>2017-35,</b>	1
		<b>2017-36</b>	OF
			1
COLOR	UNITS		
	INCHES		