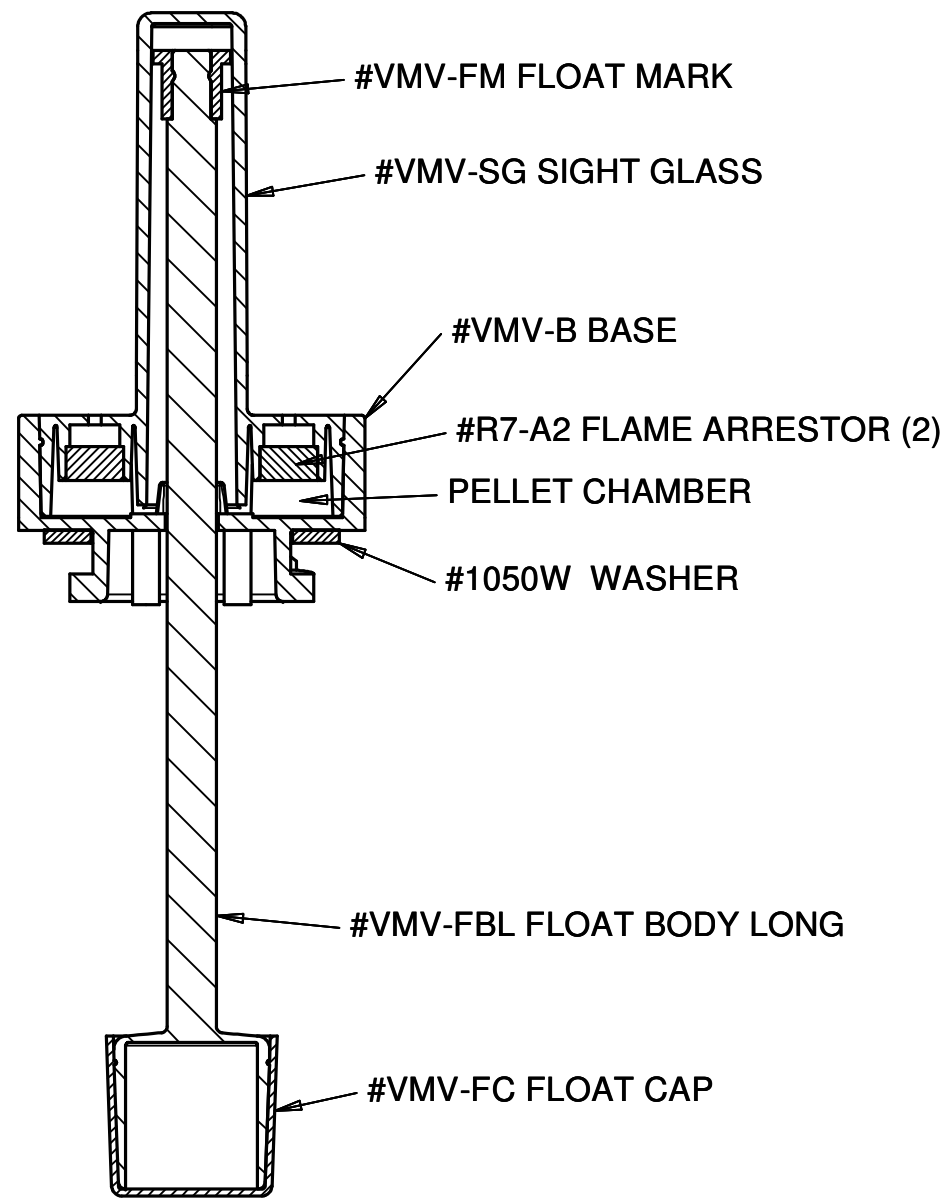
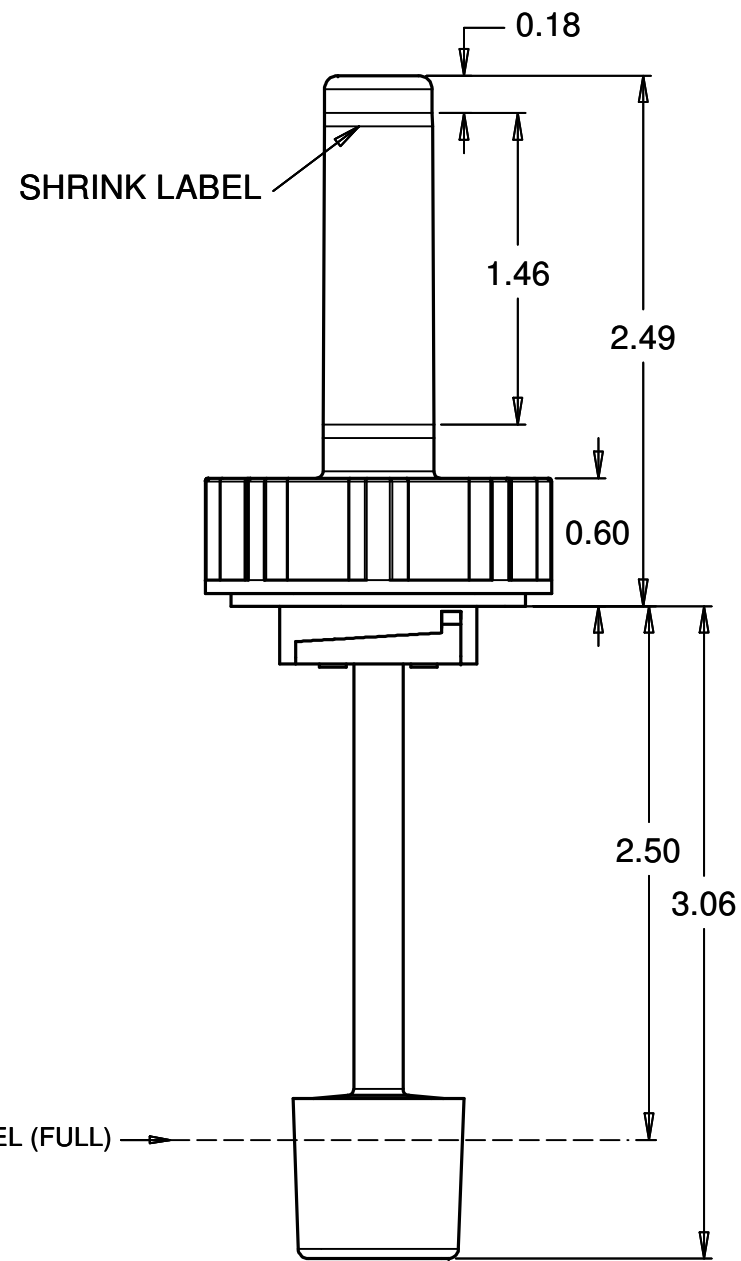


PATENT PENDING



Section A-A

THIS DOCUMENT CONTAINS CONFIDENTIAL AND PROPRIETARY INFORMATION, AND MAY NOT BE USED, COPIED OR DISCLOSED IN WHOLE OR IN PART FOR ANY PURPOSE INCLUDING DESIGN OR MANUFACTURE WITHOUT THE PRIOR WRITTEN CONSENT OF DOYLE MANUFACTURING INC.

REVISION	DESCRIPTION	BY	DATE
DRAWN D. WATERS TOLERANCE UNLESS SPECIFIED .X = +/- .060 .XX = +/- .030	DATE 9/16/14 .XXX = +/- .010 .XXXX = +/- .005	DOYLE MANUFACTURING INC. 1440 HOLLOWAY ROAD HOLLAND, OHIO 43528	
CUSTOMER SHAMROCK	PART NO. 4000550	PART NAME VISUAL MONITORING VENT 5.50	
MATERIAL	SHRINKAGE	JOB #	SHT 1
COLOR	UNITS INCHES		OF 1