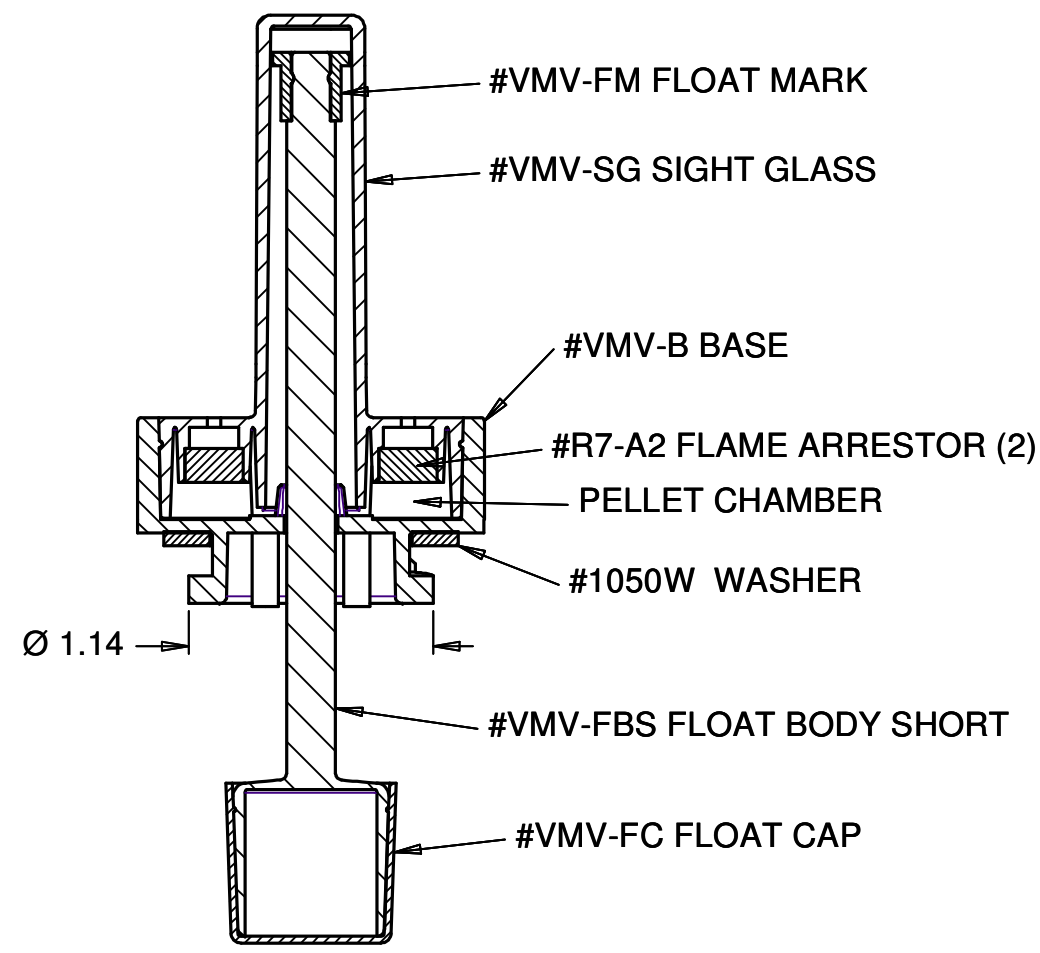
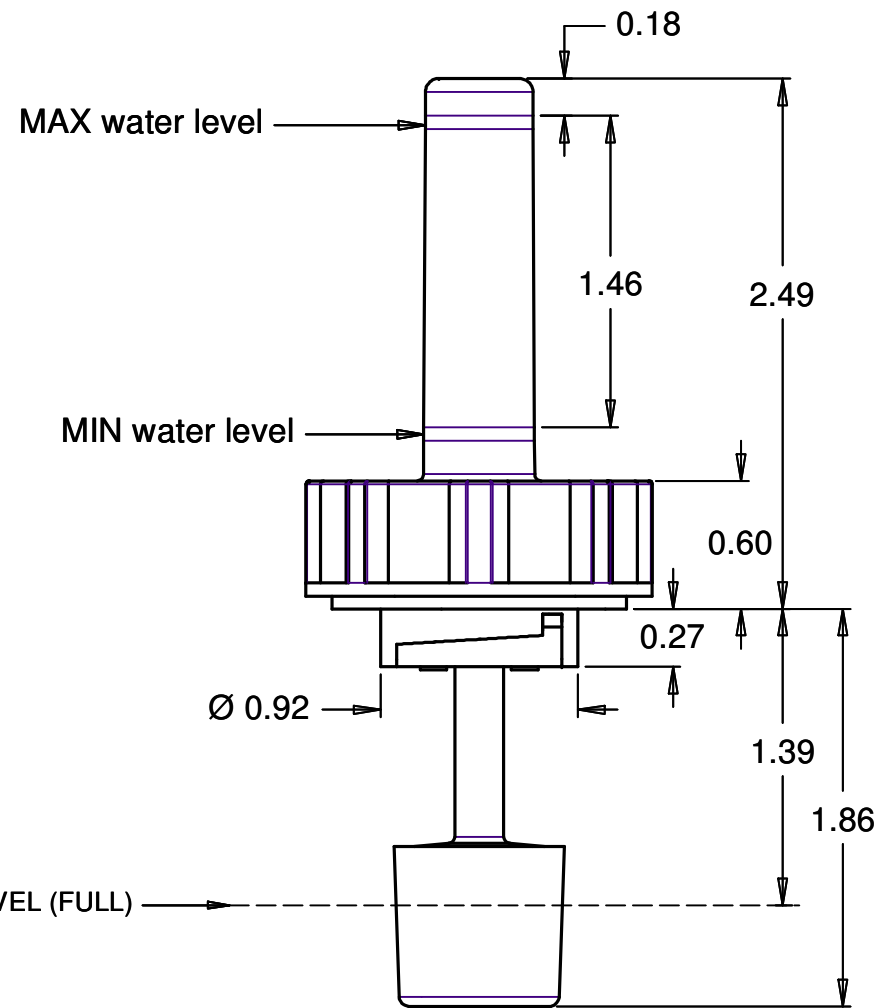


PATENT PENDING



Section A-A

Battery Water Level Indicator #4000425

THIS DOCUMENT CONTAINS CONFIDENTIAL AND PROPRIETARY INFORMATION, AND MAY NOT BE USED, COPIED OR DISCLOSED IN WHOLE OR IN PART FOR ANY PURPOSE INCLUDING DESIGN OR MANUFACTURE WITHOUT THE PRIOR WRITTEN CONSENT OF DOYLE MANUFACTURING INC.

REVISION	DESCRIPTION		BY	DATE
DRAWN	DATE		DOYLE MANUFACTURING INC.	
D. WATERS	9/16/14		1440 HOLLOWAY ROAD HOLLAND, OHIO 43528	
TOLERANCE UNLESS SPECIFIED		QUALITY CERTIFIED		
.X = +/- .060		.XXX = +/- .010		
.XX = +/- .030		.XXXX = +/- .005		
CUSTOMER	PART NO.		PART NAME	
SHAMROCK	4000425		VISUAL MONITORING VENT 4.25	
MATERIAL	SHRINKAGE		JOB #	
COLOR	UNITS		SHT	
	INCHES		1	
			OF	
			1	