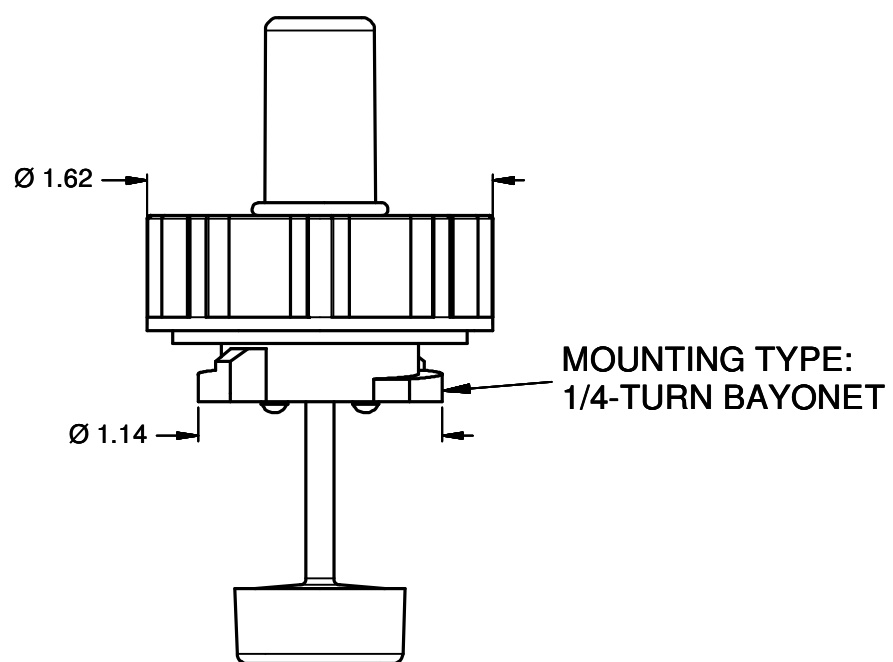
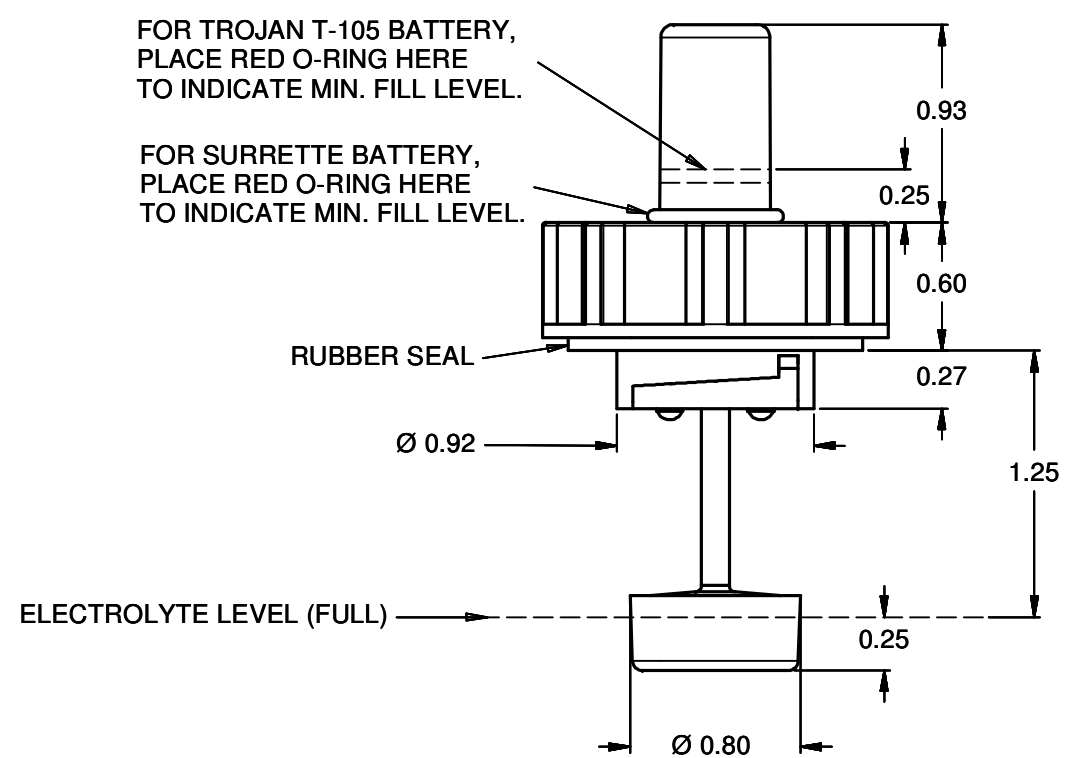


THIS DOCUMENT CONTAINS CONFIDENTIAL AND PROPRIETARY INFORMATION, AND MAY NOT BE USED, COPIED OR DISCLOSED IN WHOLE OR IN PART FOR ANY PURPOSE INCLUDING DESIGN OR MANUFACTURE WITHOUT THE PRIOR WRITTEN CONSENT OF DOYLE MANUFACTURING INC.



Battery Water Level Indicator #4000303  
 PATENT NO. 10,615,466

REVISION	DESCRIPTION	BY	DATE
DRAWN: D. WATERS DATE: 2/2/2021 <b>DOYLE MANUFACTURING INC.</b> 1440 HOLLOWAY ROAD HOLLAND, OHIO 43528 QUALITY CERTIFIED ISO/TS16949:2002			
CUSTOMER: SHAMROCK MATERIAL: SHRINKAGE COLOR:		PART NO.: 4000303 JOB #: VISUAL MONITORING VENT 3.03	
			SHT 1
			OF 1