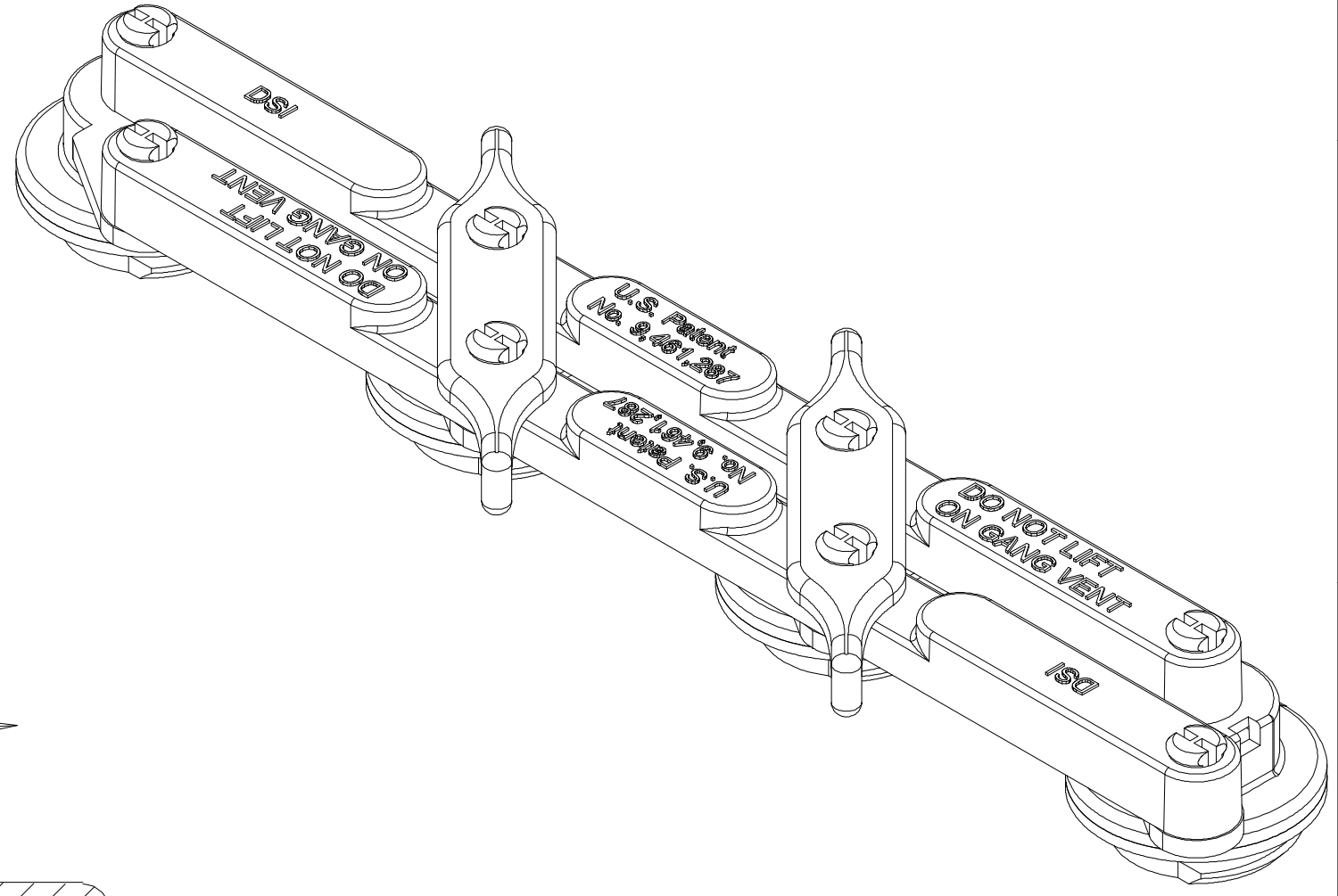
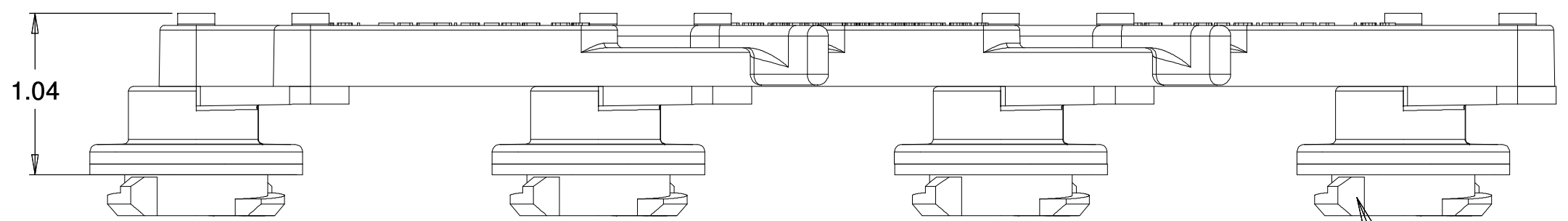
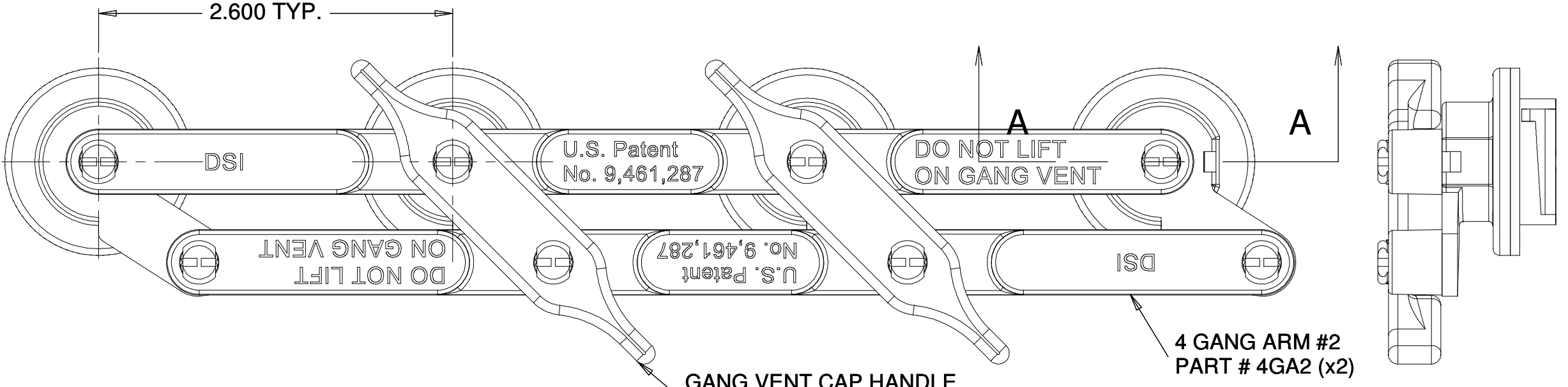


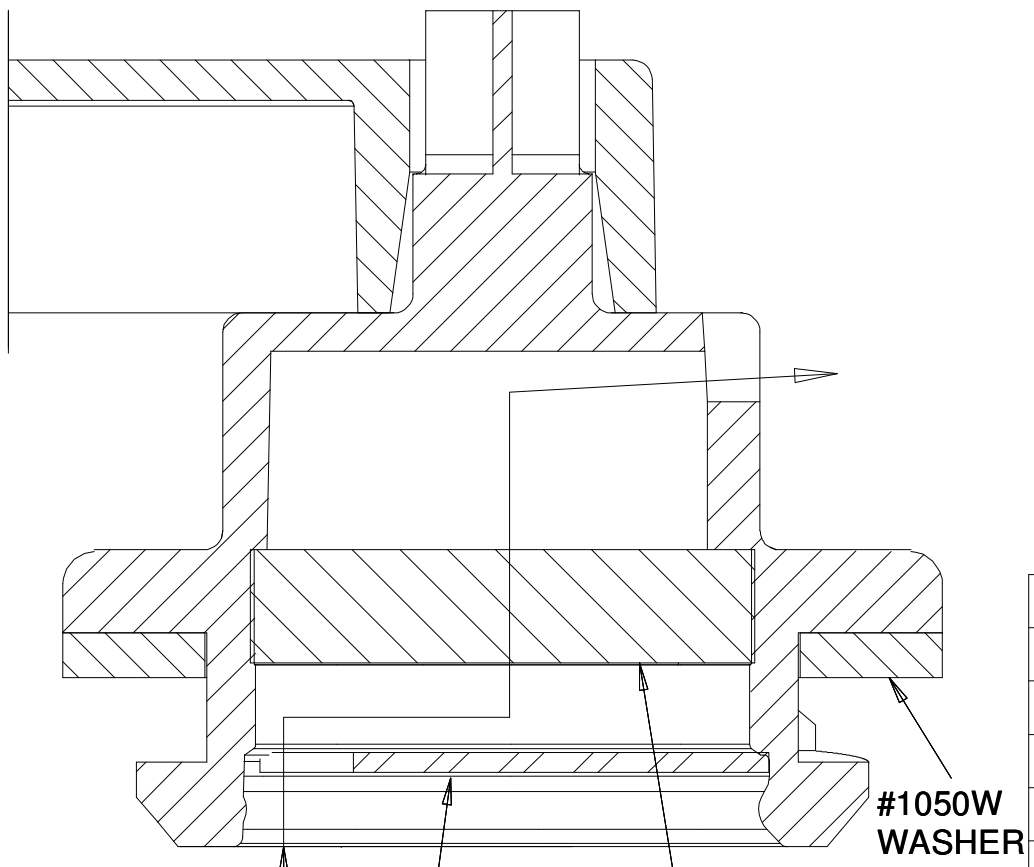
THIS DOCUMENT CONTAINS CONFIDENTIAL AND PROPRIETARY INFORMATION, AND MAY NOT BE USED, COPIED OR DISCLOSED IN WHOLE OR IN PART FOR ANY PURPOSE INCLUDING DESIGN OR MANUFACTURE WITHOUT THE PRIOR WRITTEN CONSENT OF DOYLE MANUFACTURING INC.



GANG VENT CAP HANDLE PART # GVCH (x2)

PART #GVCR (x4)

U.S. Pat. No. 9,461,287  
U.S. Pat. No. 10,263,231



FLOW PATH OF BATTERY GASES TO ATMOSPHERE

SPARK ARRESTOR #R20-A1  
FLOW RATE: 15.00-22.90 LPM @ 10 INCHES OF WATER

**SECTION A-A**

**ASSEMBLY PARTS LIST**

Name	Part #	Qty.	Mold#	Mold size	Cavs.
Gang Vent Cap Right	GVCR	4	40B	15-7/8 x 23.5	8
4 Gang Arm #2	4GA2	2	8	9-7/8 x 20	4
Gang Vent Cap Handle	GVCH	2	30B	10-7/8 x 12	4
Spark Arrestor	R20-A1	4	N/A	N/A	N/A
Baffle Disk	1050B	4	21	11-7/8 x 12	8
Vent Cap Washer	1050W	4	L43	10/12 MUD	8

REVISION	DESCRIPTION	BY	DATE
<p><b>DOYLE SHAMROCK INDUSTRIES</b> 1440 HOLLOWAY ROAD HOLLAND, OHIO 43528 QUALITY CERTIFIED ISO/TS16949:2002</p>			
<p>D. WATERS TOLERANCE UNLESS SPECIFIED .X = +/- .060 .XX = +/- .030</p>	<p>4/7/16 .XXX = +/- .010 .XXXX = +/- .005</p>	<p><b>DOYLE SHAMROCK INDUSTRIES</b> 1440 HOLLOWAY ROAD HOLLAND, OHIO 43528 QUALITY CERTIFIED ISO/TS16949:2002</p>	
CUSTOMER	PART NO.	PART NAME	
SHAMROCK	4-GVCA2.6-1070	4 Cell Speed Vent 2.6	
MATERIAL	SHRINKAGE	JOB #	SHT
PP	.020 IN./IN.	<b>2016-55</b>	1
COLOR	UNITS		OF
BLACK	INCHES		1