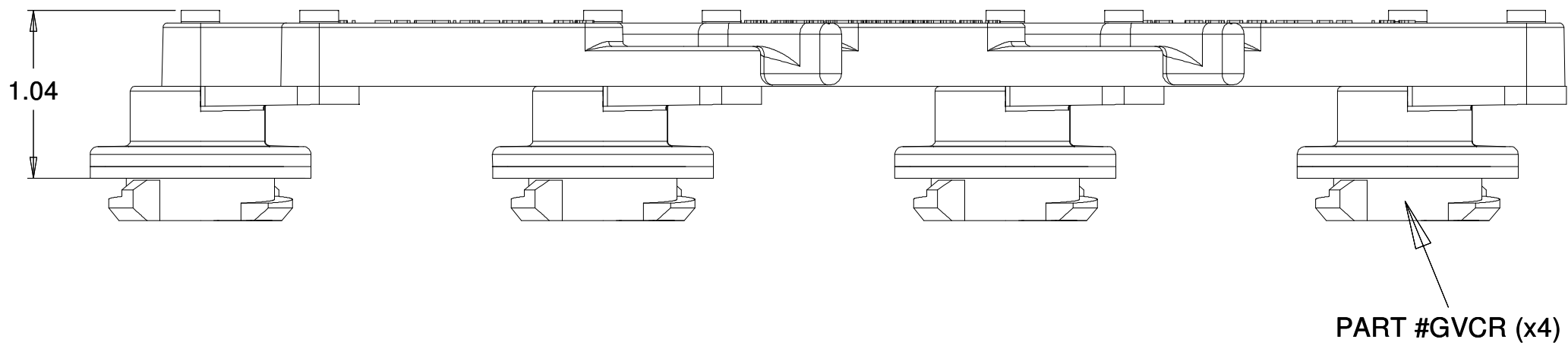
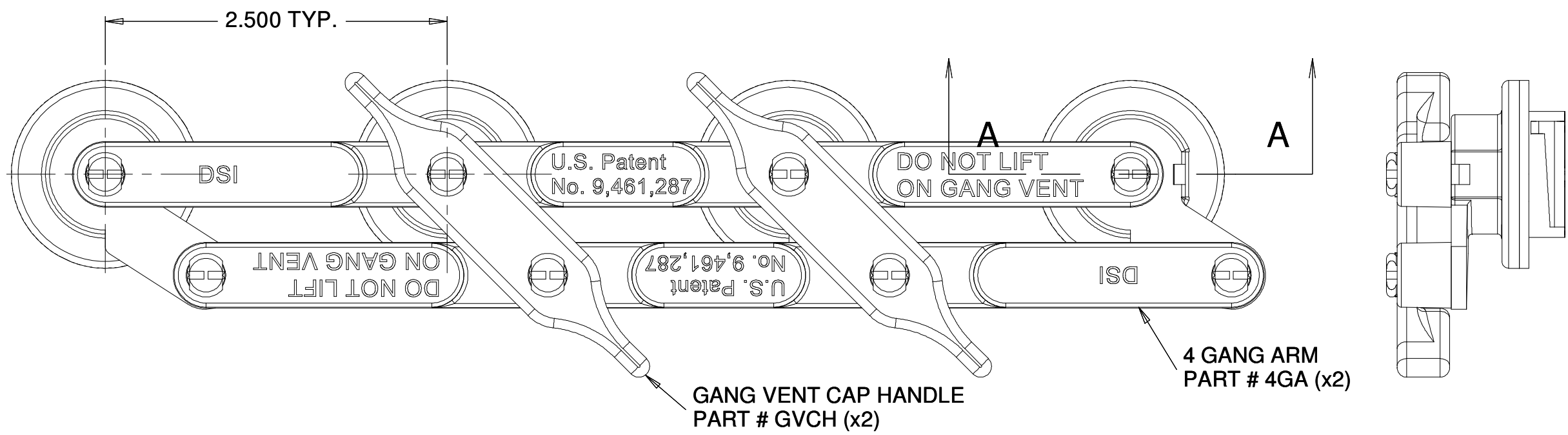
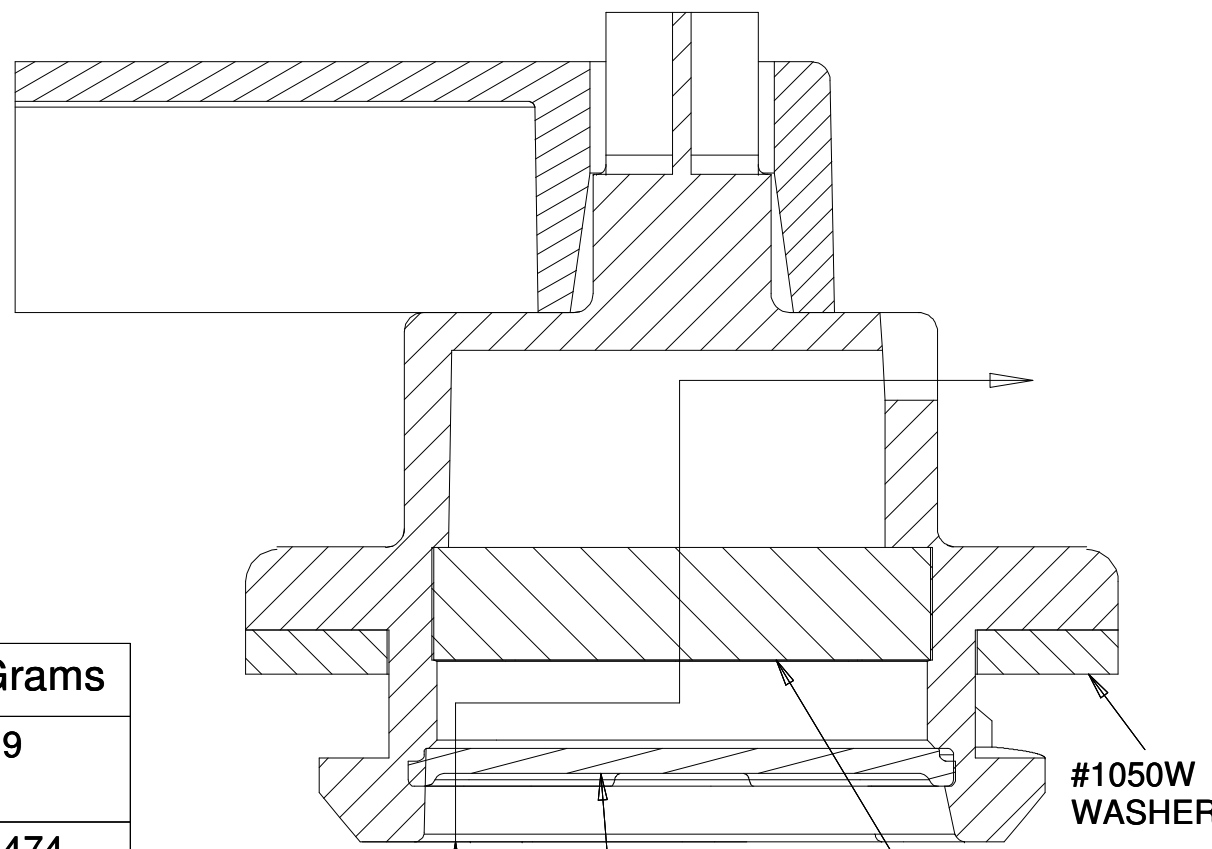
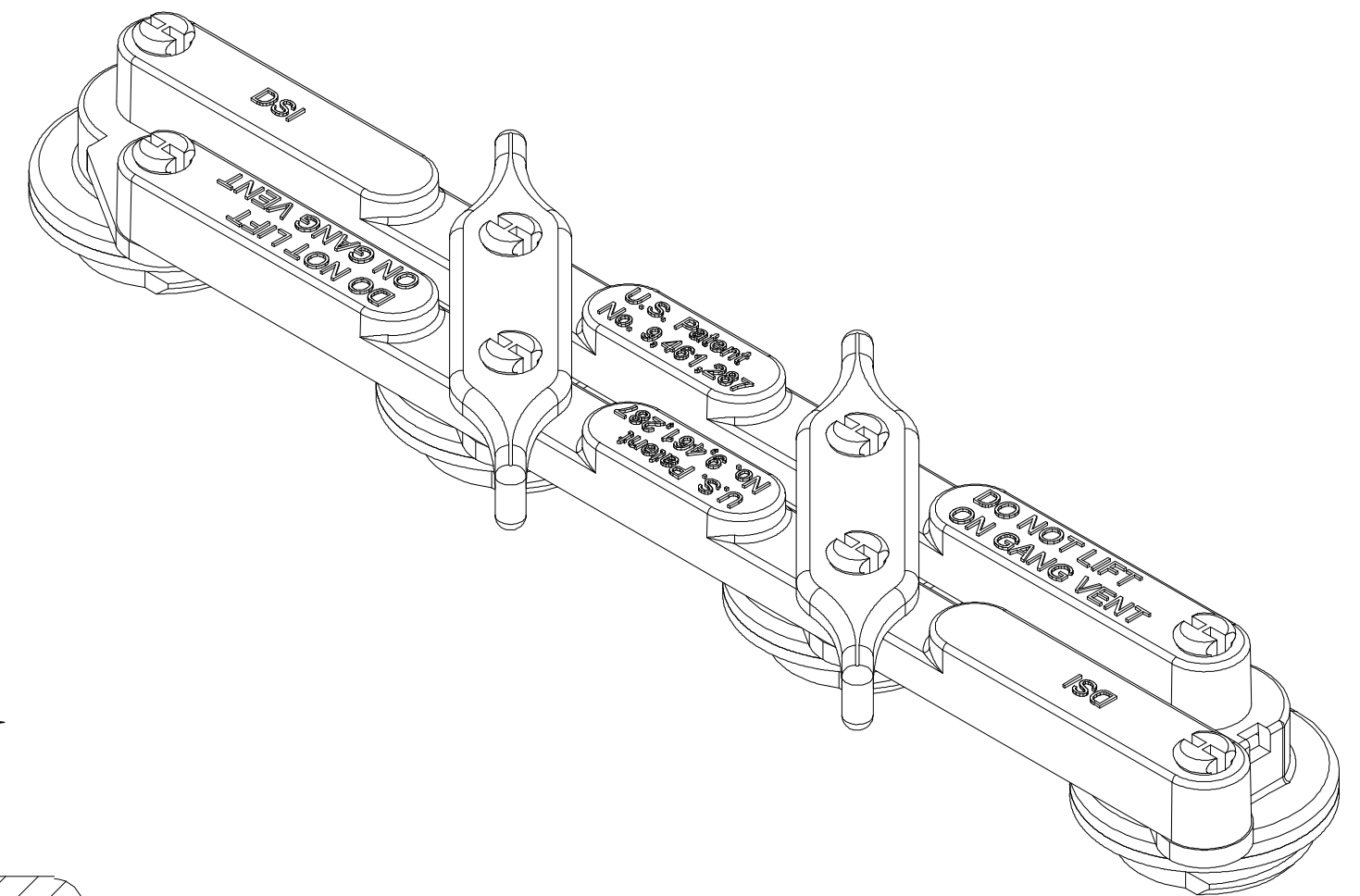


THIS DOCUMENT CONTAINS CONFIDENTIAL AND PROPRIETARY INFORMATION, AND MAY NOT BE USED, COPIED OR DISCLOSED IN WHOLE OR IN PART FOR ANY PURPOSE INCLUDING DESIGN OR MANUFACTURE WITHOUT THE PRIOR WRITTEN CONSENT OF DOYLE MANUFACTURING INC.



U.S. Pat. No. 9,461,287  
U.S. Pat. No. 10,263,231



SPARK ARRESTOR #R20-A1  
FLOW RATE: 15.00-22.90 LPM  
@ 10 INCHES OF WATER

## SECTION A-A

### ASSEMBLY PARTS LIST

Name	Part #	Qty.	Mold#	Mold size	Cavs.	Grams
Gang Vent Cap Right	GVCR	4	40B	15-7/8 x 23.5	8	5.9
4 Gang Arm	4GA	2	37B	15-7/8 x 23.5	4+4	8.474
Gang Vent Cap Handle	GVCH	2	30B	10-7/8 x 12	4	3.088
Spark Arrestor	R20-A1	4	N/A	N/A	N/A	
Baffle Disk	1070B	4	21	11-7/8 x 12	8	.2353
Vent Cap Washer	1050W	4	L43	10/12 MUD	8	.777

REVISION	DESCRIPTION	BY	DATE
DRAWN	D. WATERS		4/7/16
TOLERANCE UNLESS SPECIFIED			
.X = +/- .060		.XXX = +/- .010	
.XX = +/- .030		.XXXX = +/- .005	
CUSTOMER	SHAMROCK	PART NO.	4-GVCA2.5-1070
MATERIAL	PP	SHRINKAGE	.020 IN./IN.
COLOR	BLACK	UNITS	INCHES
DOYLE SHAMROCK INDUSTRIES			
1440 HOLLOWAY ROAD HOLLAND, OHIO 43528			QUALITY CERTIFIED ISO/TS16949:2002
PART NAME			4 Cell Speed Vent 2.5
JOB #			2011-07
			SHT
			1
			OF
			1