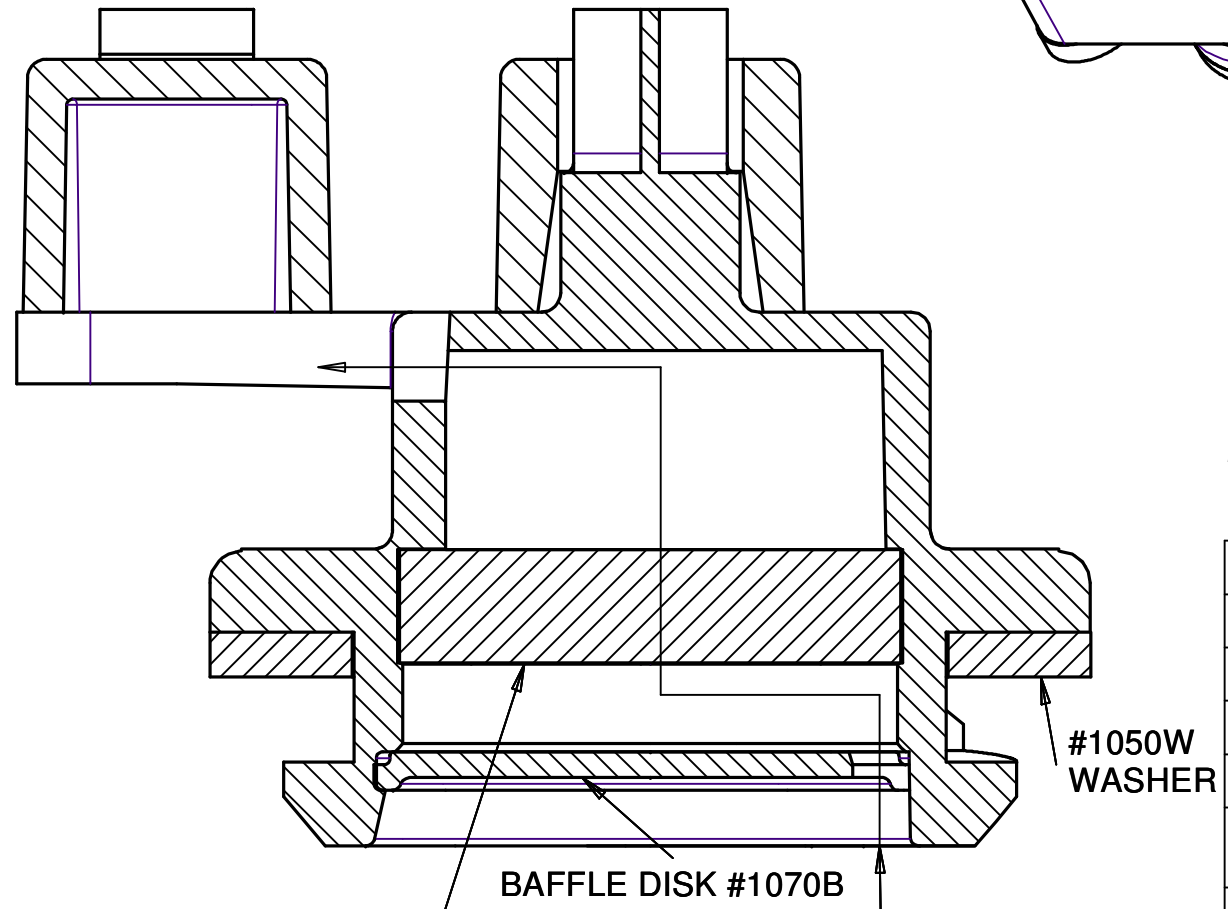
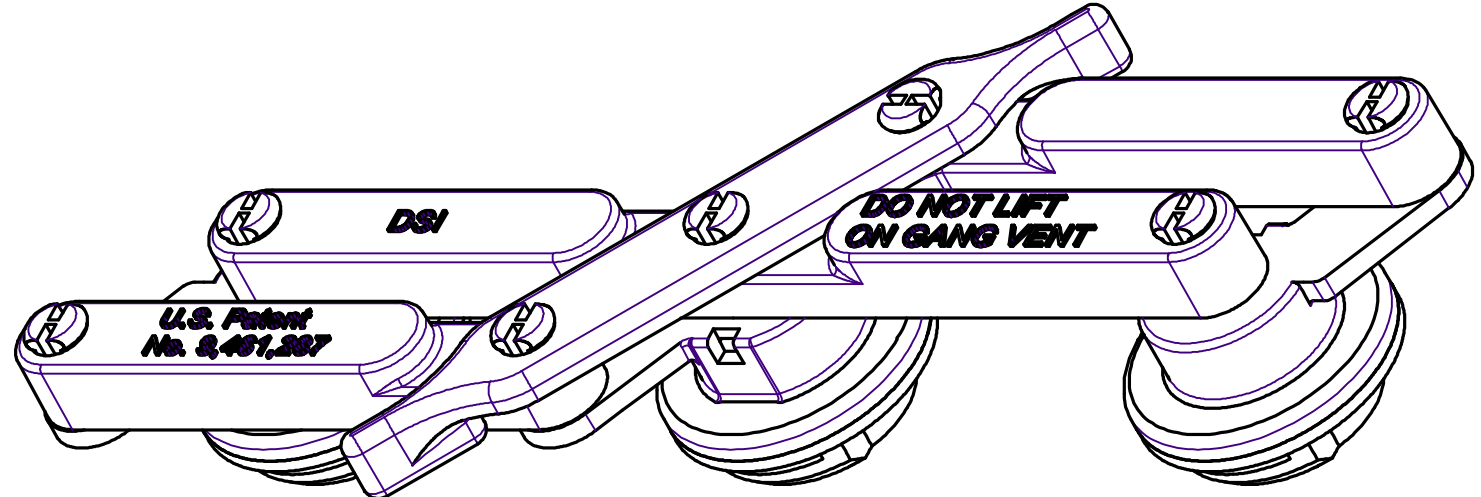
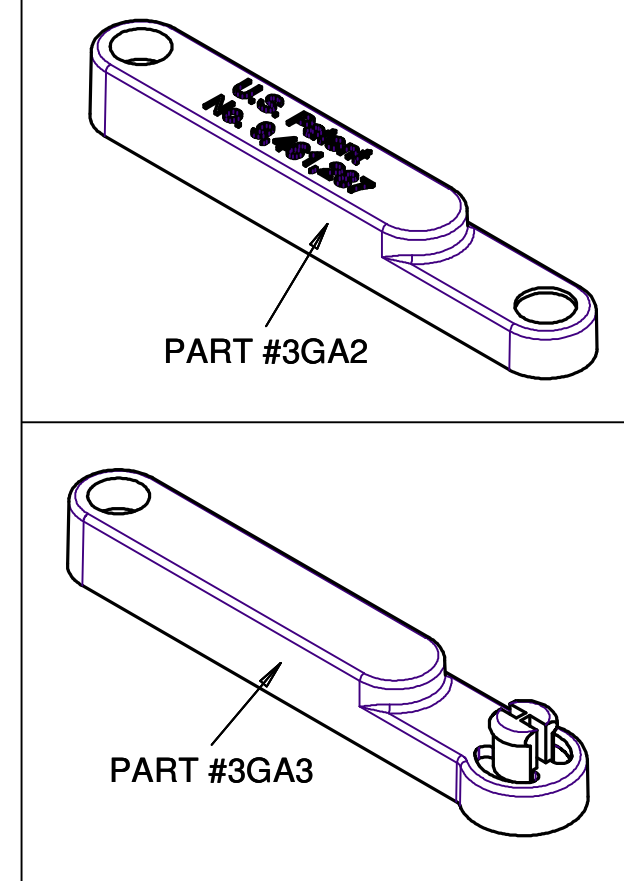
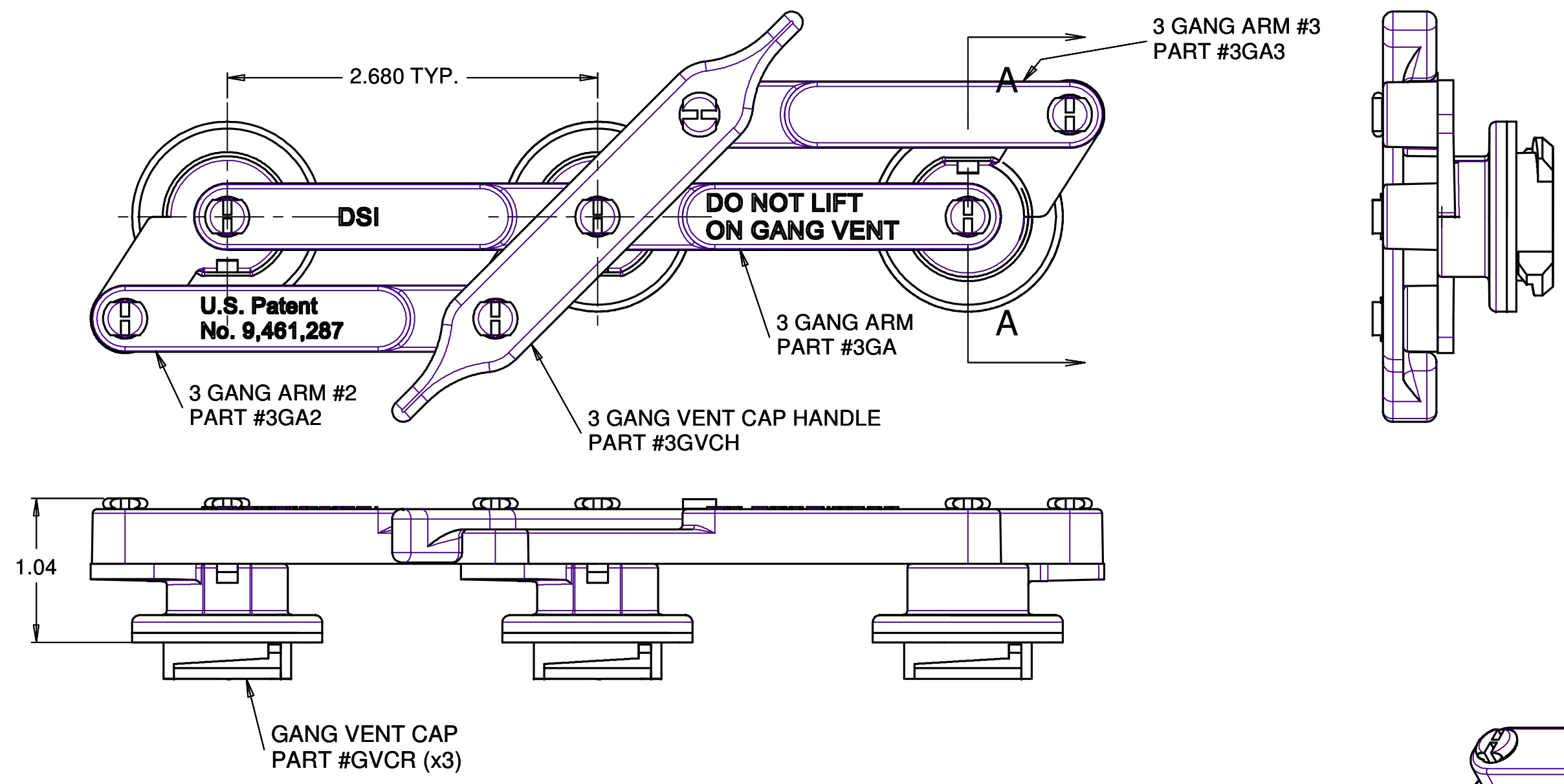


8 7 6 5 4 3 2 1



SPARK ARRESTOR #R20-A1
FLOW RATE: 15.00-22.90 LPM
@ 10 INCHES OF WATER

FLOW PATH
OF BATTERY
GASES TO
ATMOSPHERE

SECTION A-A

Battery Speed Vent Cap Assembly Parts List

Name	Part #	Qty.
Gang Vent Cap Right	GVCR	3
3 Gang Arm	3GA	1
3 Gang Arm #2	3GA2	1
3 Gang Arm #3	3GA3	1
3 Gang Vent Cap Handle	3GVCH	1
Spark Arrestor	R20-A1	3
Baffle Disk	1070B	3
Vent Cap Washer	1050W	3

- NOTES:
 1. GVCR: KEY FOR BAFFLE DISK IS OPPOSITE VENT.
 2. GVCL: KEY FOR BAFFLE DISK ON SAME SIDE AS VENT.

THIS DOCUMENT CONTAINS CONFIDENTIAL AND PROPRIETARY INFORMATION, AND MAY NOT BE USED, COPIED OR DISCLOSED IN WHOLE OR IN PART FOR ANY PURPOSE INCLUDING DESIGN OR MANUFACTURE WITHOUT THE PRIOR WRITTEN CONSENT OF DOYLE MANUFACTURING INC.

REVISION	DESCRIPTION	BY	DATE
DRAWN	DATE	DOYLE SHAMROCK INDUSTRIES	
D. WATERS	4/7/16	1440 HOLLOWAY ROAD	QUALITY CERTIFIED
TOLERANCE UNLESS SPECIFIED		HOLLAND, OHIO 43528	ISO/TS16949:2002
.X = +/- .060	.XXX = +/- .010	PART NAME	
.XX = +/- .030	.XXXX = +/- .005	3 Gang Vent Cap Assembly 2.68	
CUSTOMER	PART NO.	JOB #	SHT
SHAMROCK	3-GVCA2.68-1070	2016-04	1
MATERIAL	SHRINKAGE	2016-05	OF
PP	.020 IN./IN.	2016-06	1
COLOR	UNITS		
BLACK	INCHES		

8 7 6 5 4 3 2 1