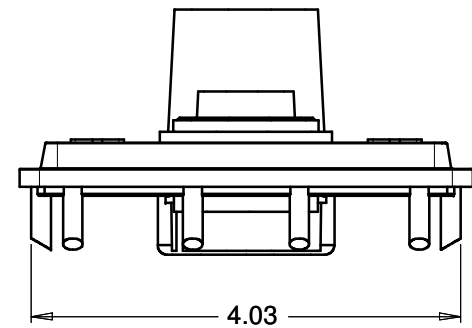
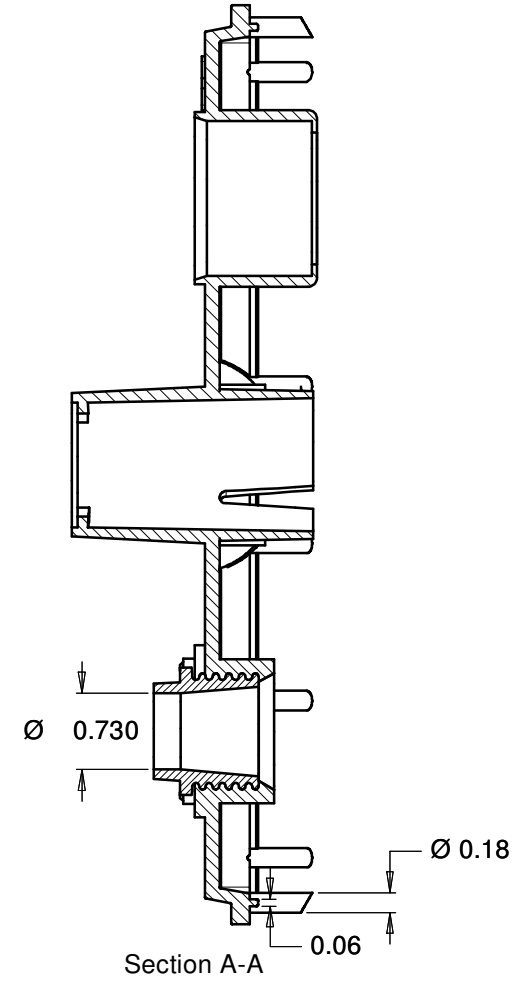
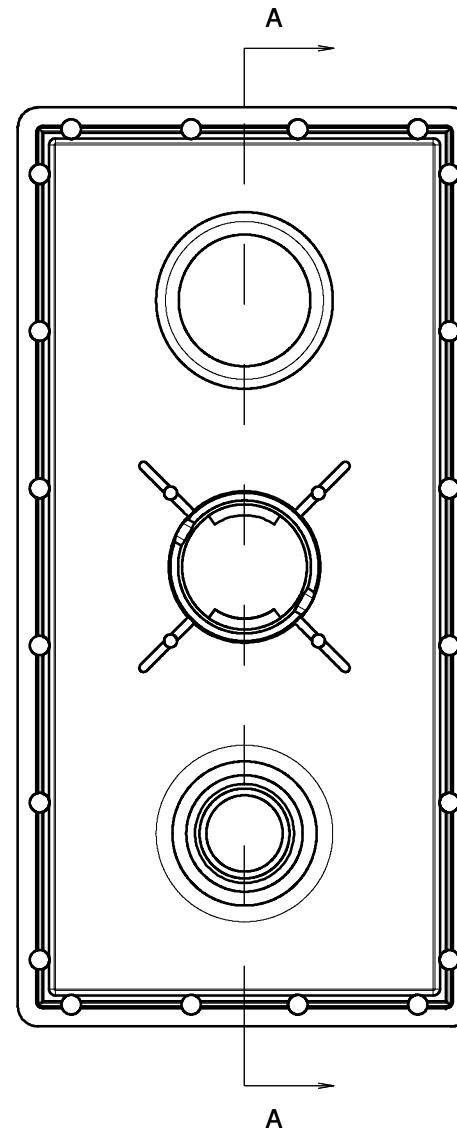
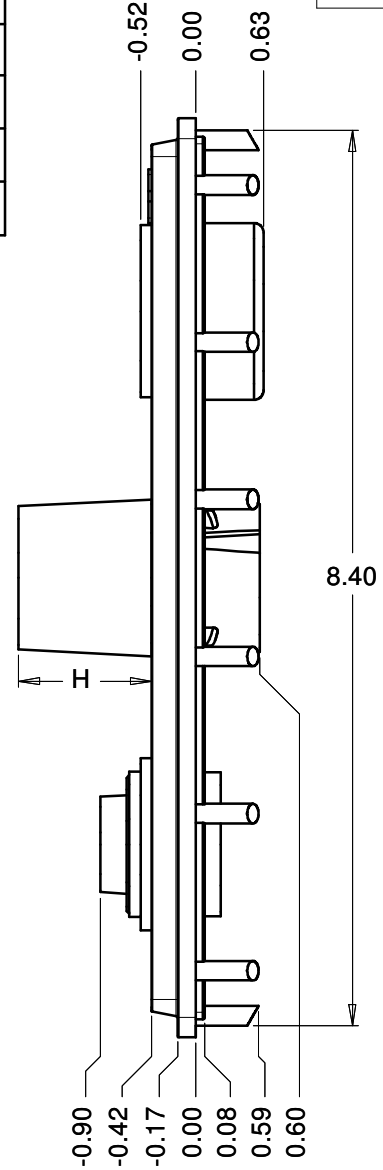


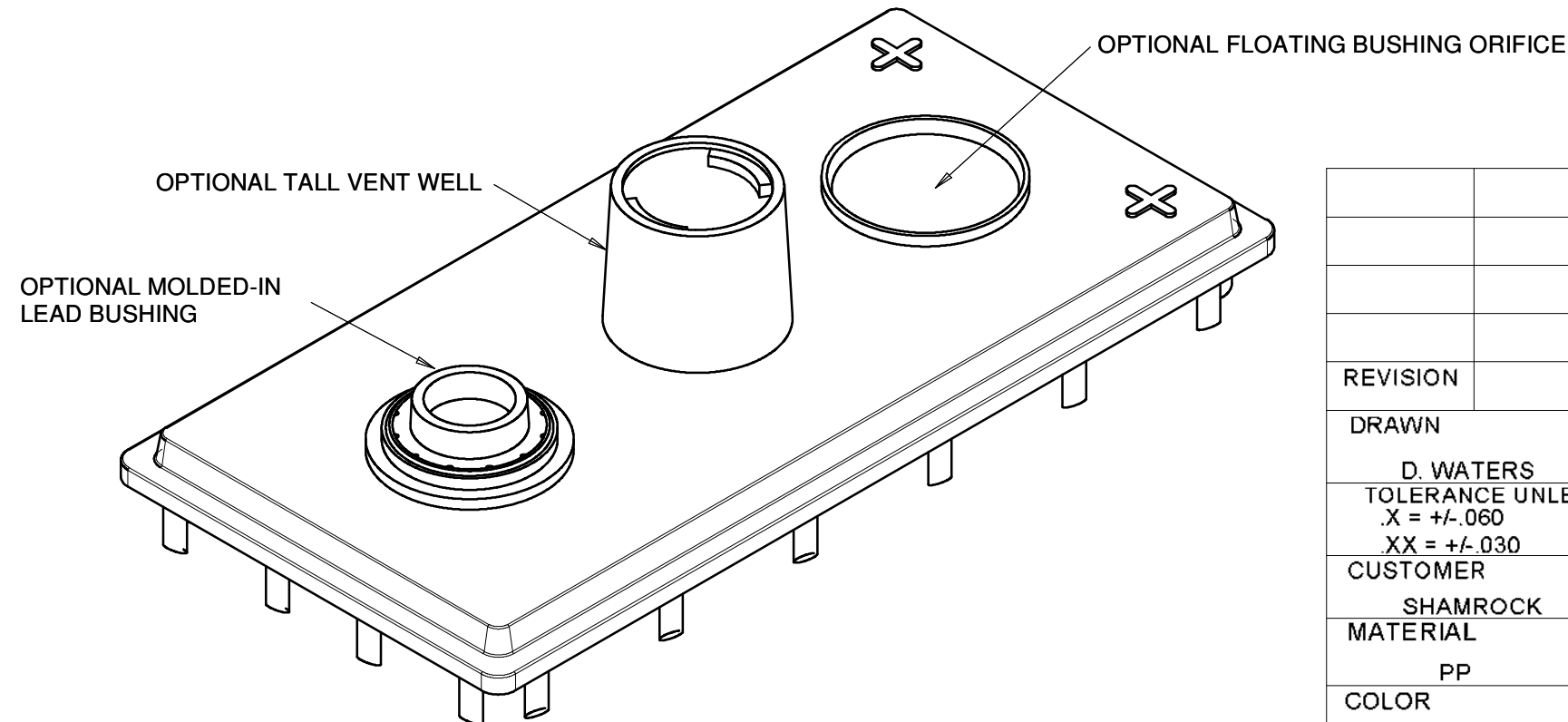
PLATE SIZE	DIM. L
7	2.75
9	3.50
11	4.25
13	5.00

	DIM. H
STANDARD VENT WELL	0.10
TALL VENT WELL	1.25



NOTE- THE FOLLOWING OPTIONS ARE AVAILABLE FOR ALL TERMINAL POSITIONS:

- 1) MOLDED-IN LEAD BUSHINGS
- 2) FLOATING LEAD BUSHINGS
- 3) FLOATING RUBBER BUSHINGS



THIS DOCUMENT CONTAINS CONFIDENTIAL AND PROPRIETARY INFORMATION, AND MAY NOT BE USED, COPIED OR DISCLOSED IN WHOLE OR IN PART FOR ANY PURPOSE INCLUDING DESIGN OR MANUFACTURE WITHOUT THE PRIOR WRITTEN CONSENT OF DOYLE MANUFACTURING INC.

REVISION	DESCRIPTION	BY	DATE
DRAWN D. WATERS TOLERANCE UNLESS SPECIFIED X = +/- .060 XX = +/- .030			DATE DOYLE MANUFACTURING INC. MAKING PLASTIC MOLDS SINCE 1975. 1440 HOLLOWAY ROAD HOLLAND, OHIO 43528 QUALITY CERTIFIED ISO/TS16949:2002
CUSTOMER SHAMROCK	PART NO.	PART NAME WIDE SERIES 2-POST BATTERY CELL COVER	
MATERIAL PP	SHRINKAGE	JOB #	SHT
COLOR	UNITS INCHES	03-39	1 OF 1