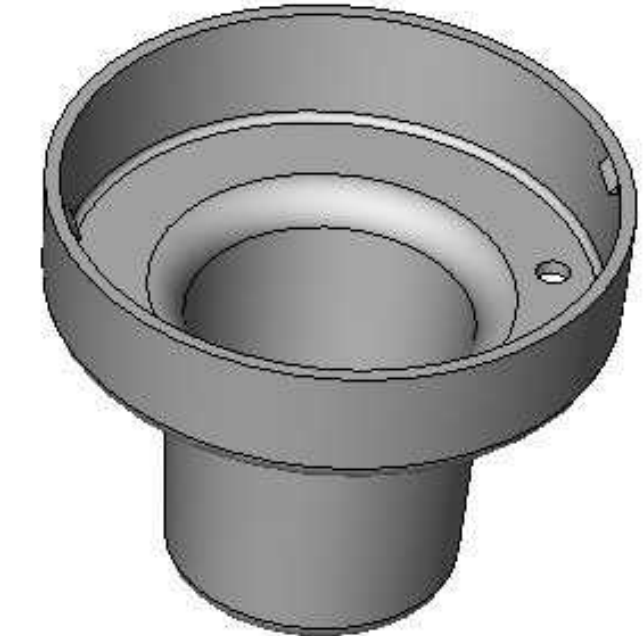
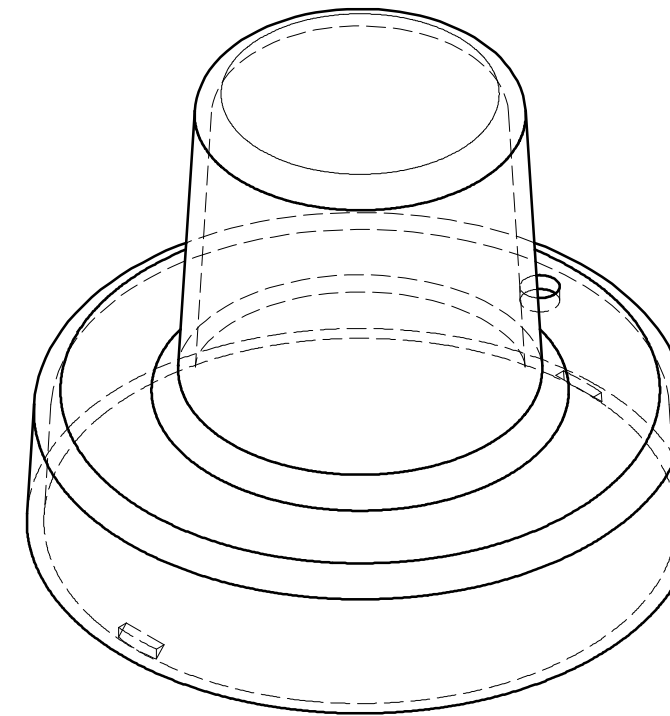
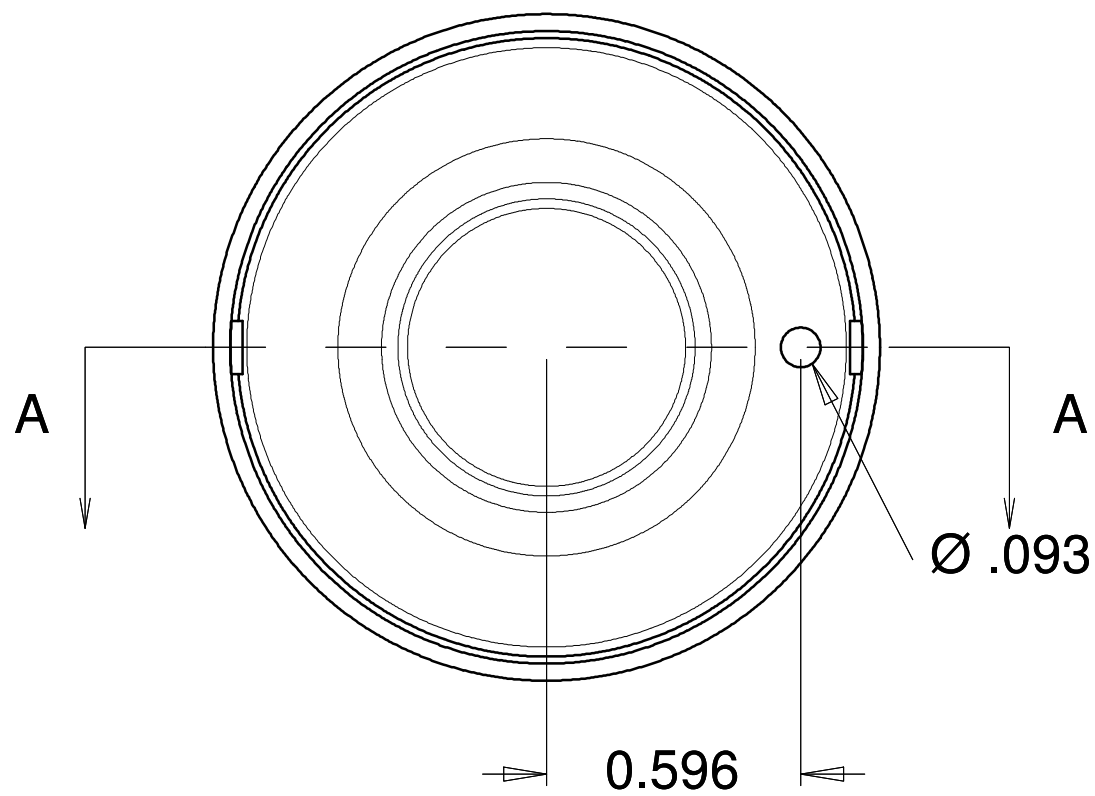
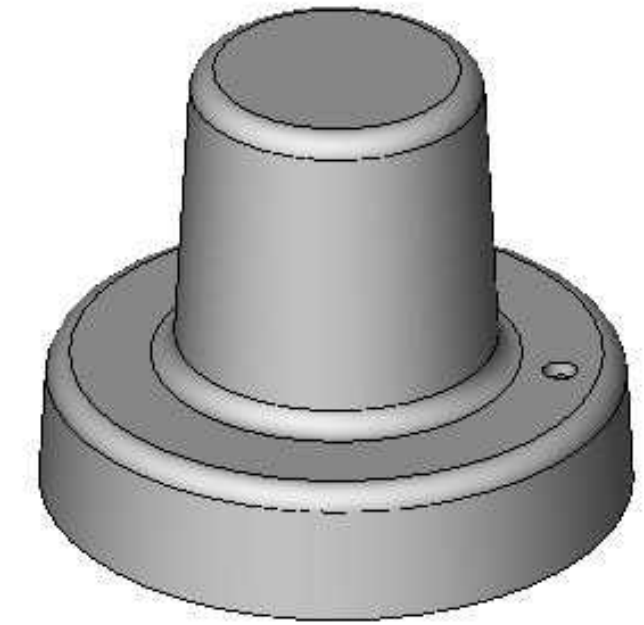
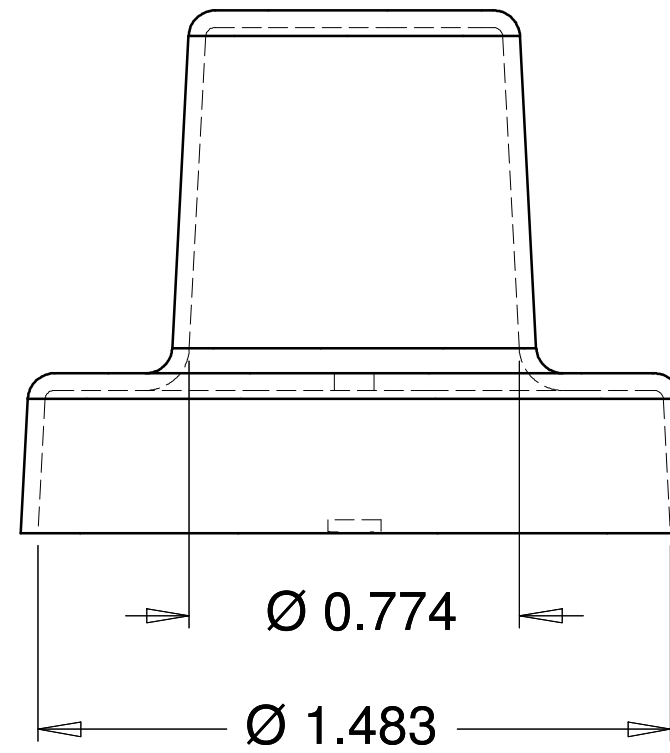


SECTION A-A



THIS DOCUMENT CONTAINS CONFIDENTIAL AND PROPRIETARY INFORMATION, AND MAY NOT BE USED, COPIED OR DISCLOSED IN WHOLE OR IN PART FOR ANY PURPOSE INCLUDING DESIGN OR MANUFACTURE WITHOUT THE PRIOR WRITTEN CONSENT OF DOYLE MANUFACTURING INC.

REVISION	DESCRIPTION		BY	DATE
DRAWN D. WATERS	DATE	DOYLE MANUFACTURING INC. MAKING PLASTIC MOLDS SINCE 1975.		
TOLERANCE UNLESS SPECIFIED X = +/- .060 XX = +/- .030		XXX = +/- .010 XXXX = +/- .005	1440 HOLLOWAY ROAD HOLLAND, OHIO 43528	
CUSTOMER SHAMROCK	PART NO. 103-3010	PART NAME COMMERCIAL BATTERY TERMINAL PROTECTOR		
MATERIAL PP	SHRINKAGE	JOB #	SHT 1	
COLOR	UNITS INCHES	OF 1		