

8 7 6 5 4 3 2 1

E

D

C

B

A

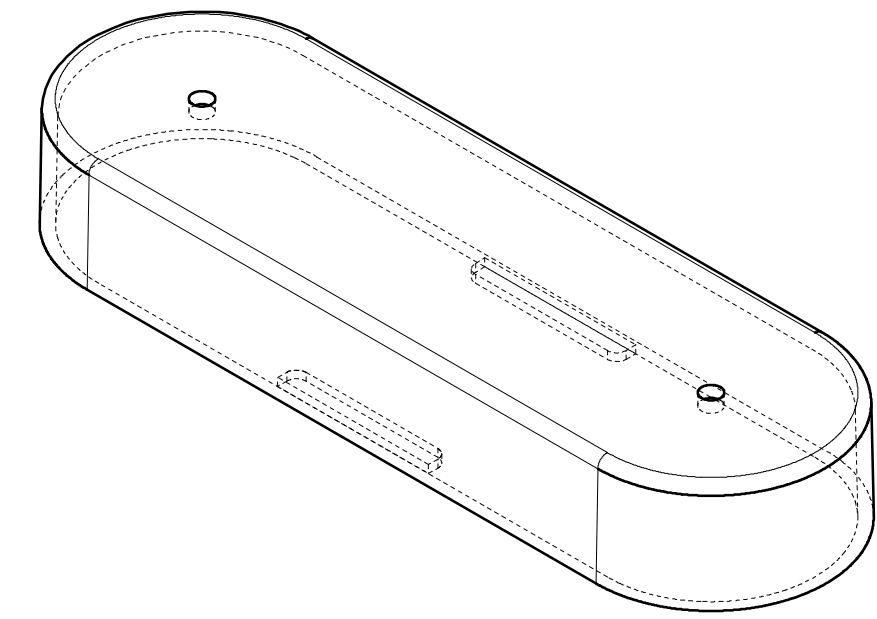
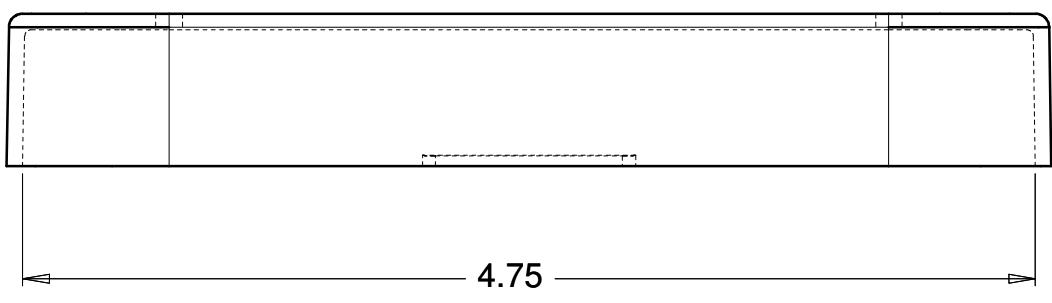
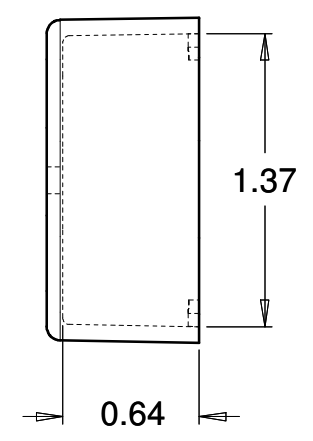
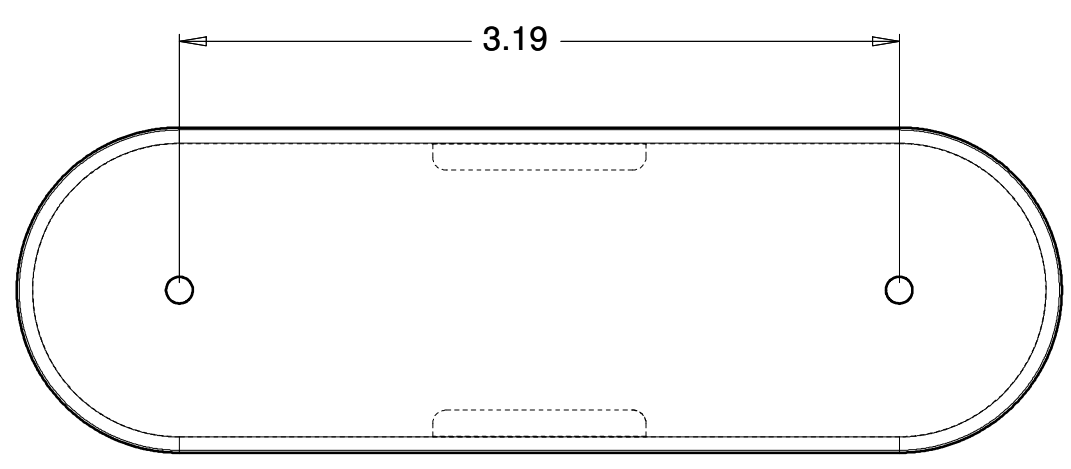
E

D

C

B

A



THIS DOCUMENT CONTAINS CONFIDENTIAL AND PROPRIETARY INFORMATION, AND MAY NOT BE USED, COPIED OR DISCLOSED IN WHOLE OR IN PART FOR ANY PURPOSE INCLUDING DESIGN OR MANUFACTURE WITHOUT THE PRIOR WRITTEN CONSENT OF DOYLE MANUFACTURING INC.

REVISION	DESCRIPTION		BY	DATE
DRAWN	DATE		DOYLE MANUFACTURING INC. MAKING PLASTIC MOLDS SINCE 1975. 1440 HOLLOWAY ROAD QUALITY CERTIFIED HOLLAND, OHIO 43528 ISO/TS16949:2002	
D. WATERS		TOLERANCE UNLESS SPECIFIED		
X = +/- .060		.XXX = +/- .010		PART NO. SH6 PART NAME BATTERY TERMINAL COVER #6 JOB #
XX = +/- .030		.XXXX = +/- .005		
CUSTOMER	PART NO.		SHT	
SHAMROCK	SH6		1	
MATERIAL	SHRINKAGE		OF	
PP			1	
COLOR	UNITS			
	INCHES			

8 7 6 5 4 3 2 1