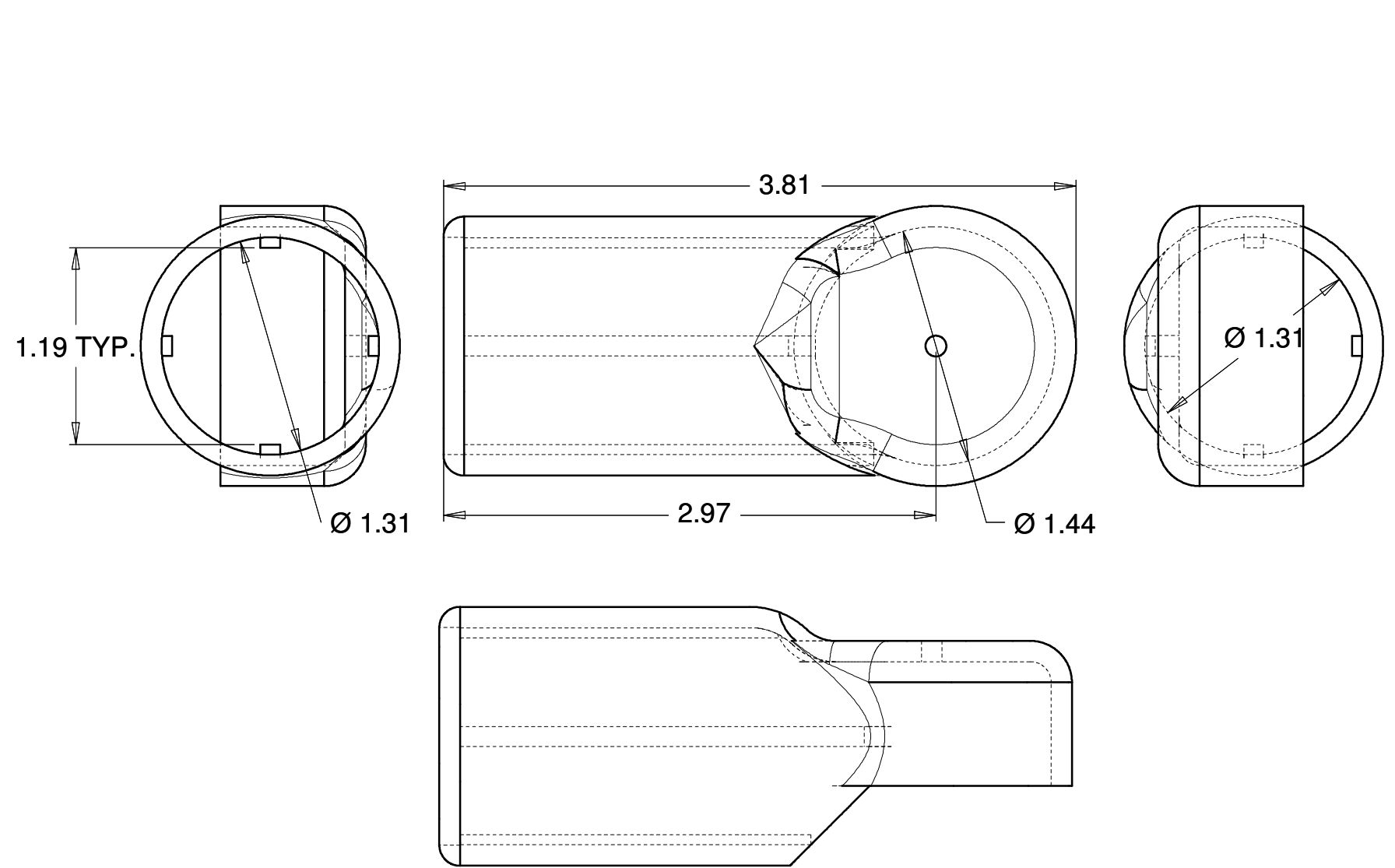


8 7 6 5 4 3 2 1



THIS DOCUMENT CONTAINS CONFIDENTIAL AND PROPRIETARY INFORMATION, AND MAY NOT BE USED, COPIED OR DISCLOSED IN WHOLE OR IN PART FOR ANY PURPOSE INCLUDING DESIGN OR MANUFACTURE WITHOUT THE PRIOR WRITTEN CONSENT OF DOYLE MANUFACTURING INC.

| | | | | | |
|----------------------------|-----------|---|--|----|------|
| REVISION | | DESCRIPTION | | BY | DATE |
| DRAWN | D. WATERS | DATE | DOYLE MANUFACTURING INC. MAKING PLASTIC MOLDS SINCE 1975. | | |
| TOLERANCE UNLESS SPECIFIED | | 1440 HOLLOWAY ROAD QUALITY CERTIFIED | | | |
| .X = +/- .060 | | HOLLAND, OHIO 43528 ISO/TS16949:2002 | | | |
| .XX = +/- .030 | | | | | |
| CUSTOMER | SHAMROCK | PART NO. | PART NAME | | |
| MATERIAL | PVC | SHRINKAGE | JOB # | | |
| COLOR | | UNITS | SHT | | |
| | | INCHES | OF | | |
| | | | 1 | | |
| | | | 1 | | |

8 7 6 5 4 3 2 1