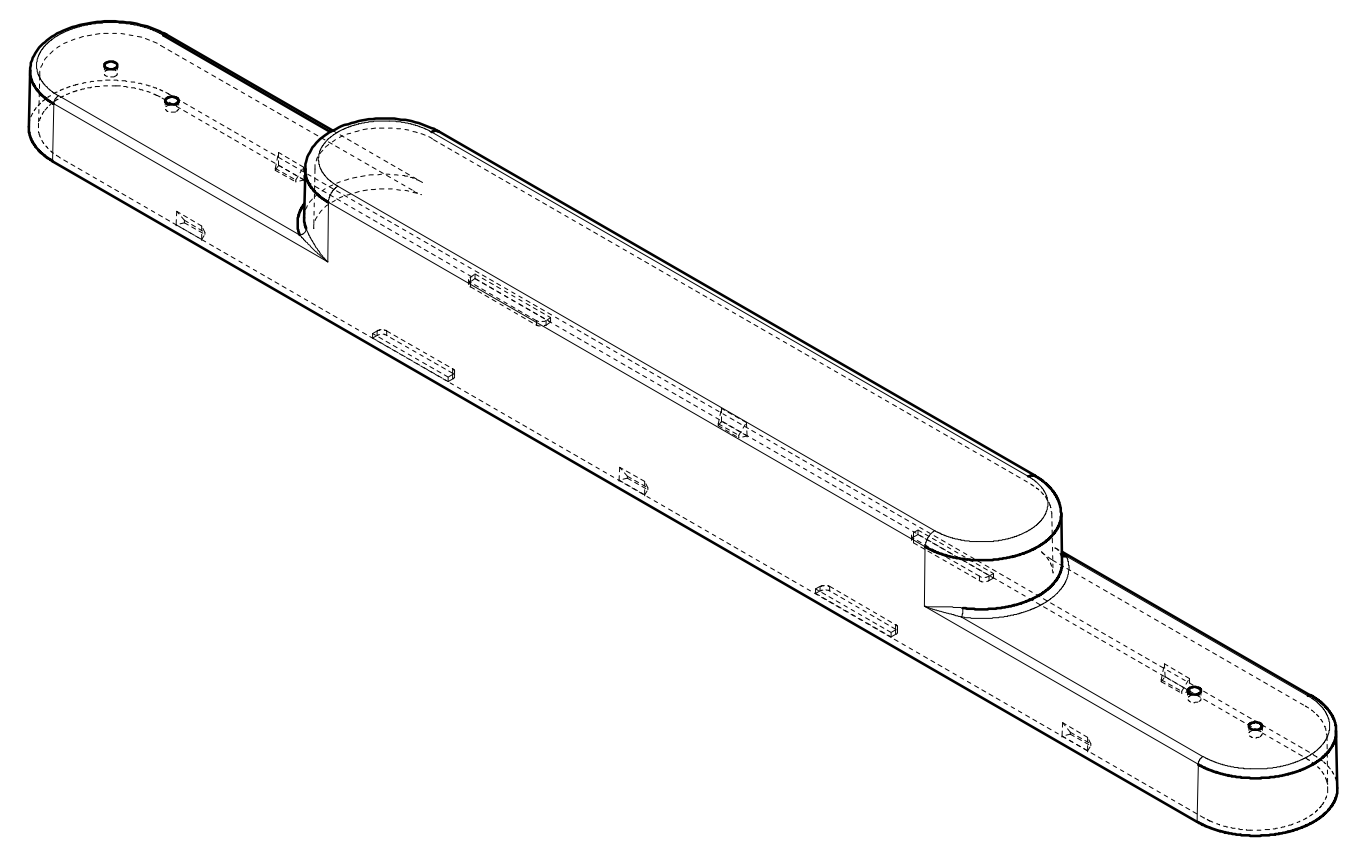
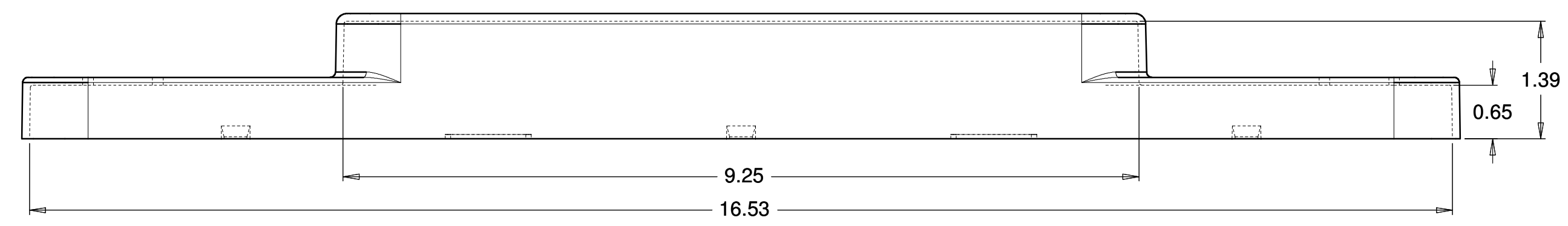
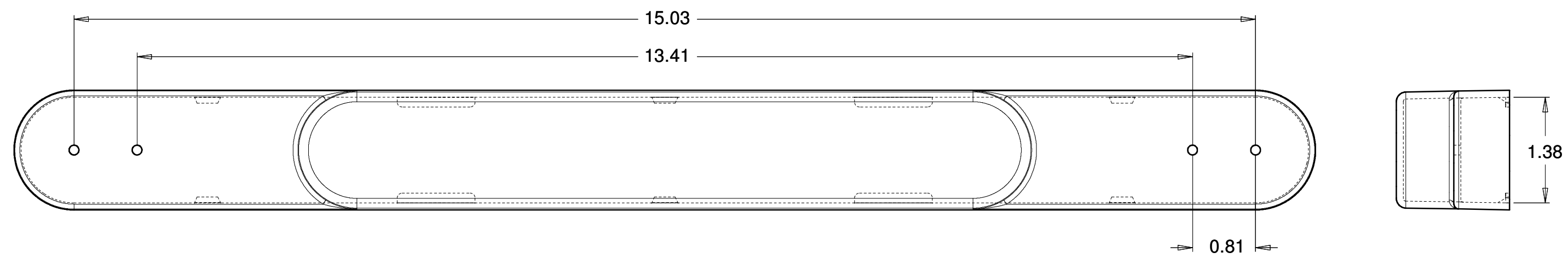


8 7 6 5 4 3 2 1



THIS DOCUMENT CONTAINS CONFIDENTIAL AND PROPRIETARY INFORMATION, AND MAY NOT BE USED, COPIED OR DISCLOSED IN WHOLE OR IN PART FOR ANY PURPOSE INCLUDING DESIGN OR MANUFACTURE WITHOUT THE PRIOR WRITTEN CONSENT OF DOYLE MANUFACTURING INC.

REVISION	DESCRIPTION		BY	DATE
DRAWN D. WATERS	DATE	<b>DOYLE MANUFACTURING INC.</b> MAKING PLASTIC MOLDS SINCE 1975.		
TOLERANCE UNLESS SPECIFIED		1440 HOLLOWAY ROAD      QUALITY CERTIFIED		
.X = +/- .060      .XXX = +/- .010		HOLLAND, OHIO 43528      ISO/TS16949:2002		
.XX = +/- .030      .XXXX = +/- .005		CUSTOMER SHAMROCK	PART NO. SH16	PART NAME BATTERY TERMINAL COVER #16
MATERIAL PP	SHRINKAGE	JOB #		SHT 1
COLOR	UNITS INCHES			OF 1

8 7 6 5 4 3 2 1