

8 7 6 5 4 3 2 1

E

D

C

B

A

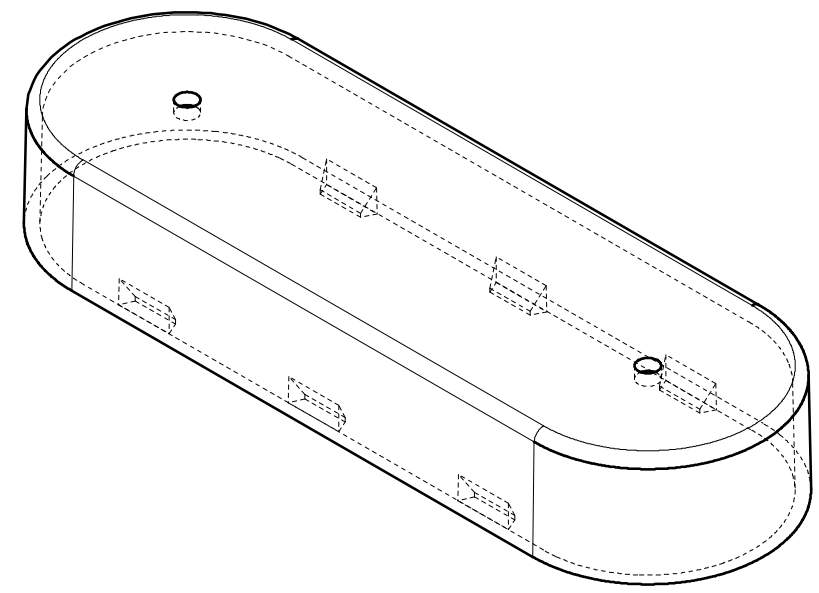
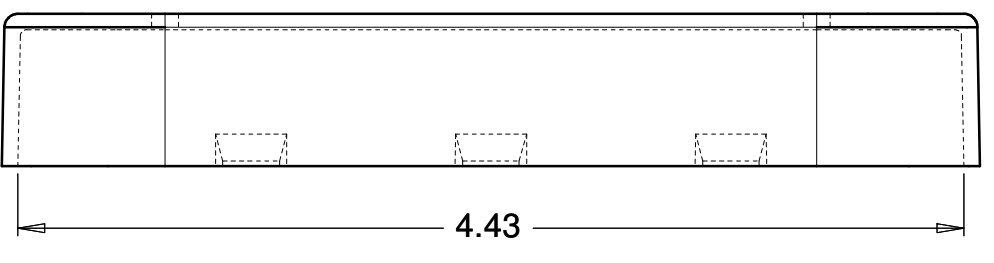
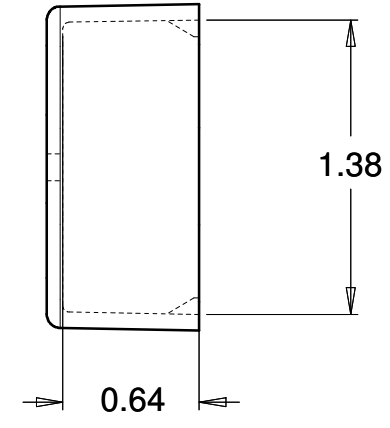
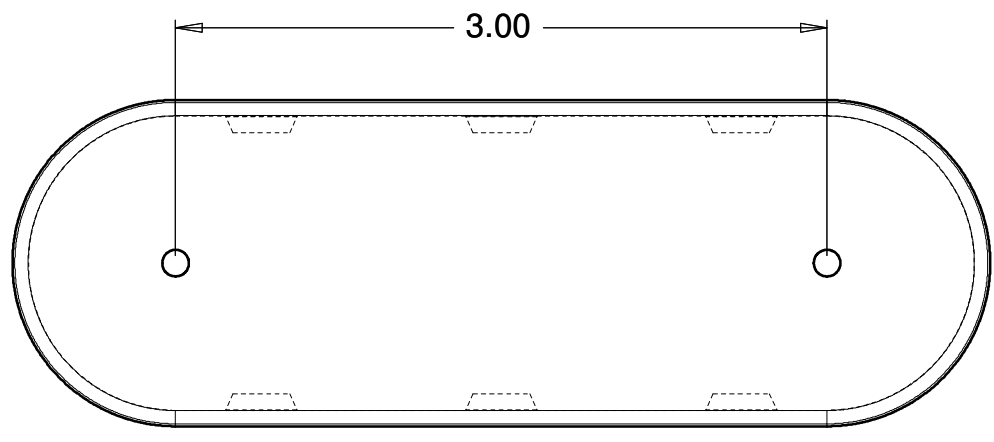
E

D

C

B

A



THIS DOCUMENT CONTAINS CONFIDENTIAL AND PROPRIETARY INFORMATION, AND MAY NOT BE USED, COPIED OR DISCLOSED IN WHOLE OR IN PART FOR ANY PURPOSE INCLUDING DESIGN OR MANUFACTURE WITHOUT THE PRIOR WRITTEN CONSENT OF DOYLE MANUFACTURING INC.

REVISION	DESCRIPTION		BY	DATE
DRAWN	D. WATERS	DATE	<b>DOYLE MANUFACTURING INC.</b> MAKING PLASTIC MOLDS SINCE 1975. 1440 HOLLOWAY ROAD      QUALITY CERTIFIED HOLLAND, OHIO 43528      ISO/TS16949:2002	
TOLERANCE UNLESS SPECIFIED				
X = +/- .060		XXX = +/- .010	PART NO. SH1 PART NAME BATTERY TERMINAL COVER #1 JOB #	
XX = +/- .030		XXXX = +/- .005		
CUSTOMER	SHAMROCK	PART NO.	SHT	
MATERIAL	PP	SHRINKAGE		
COLOR		UNITS	OF	
		INCHES		

8 7 6 5 4 3 2 1