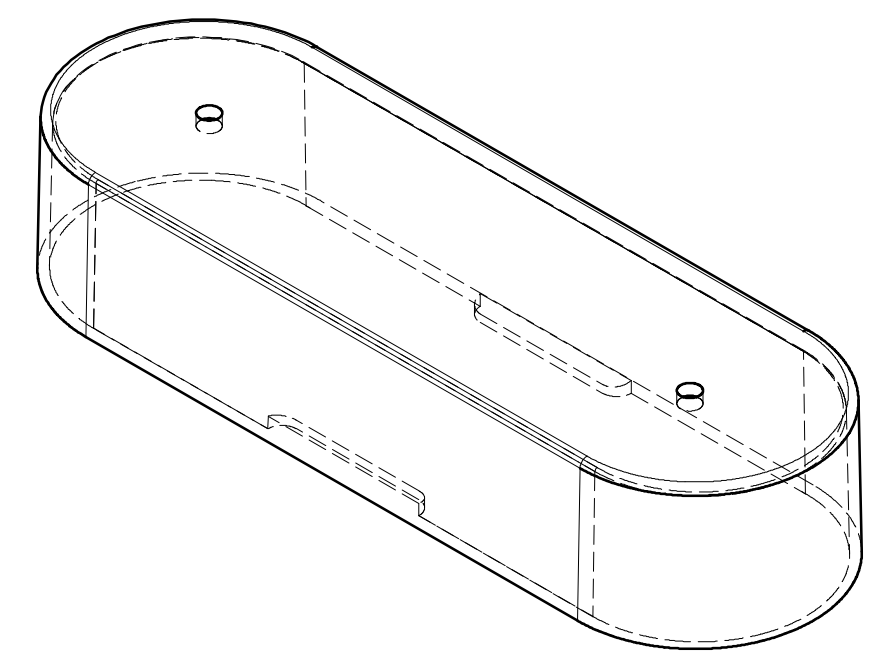
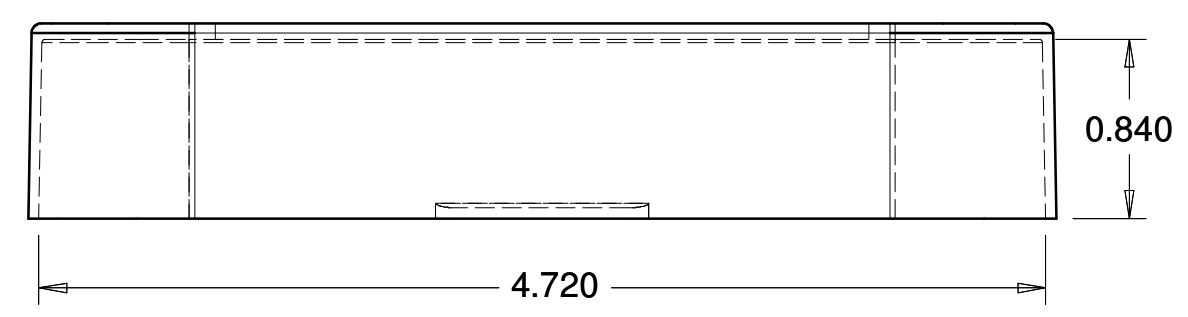
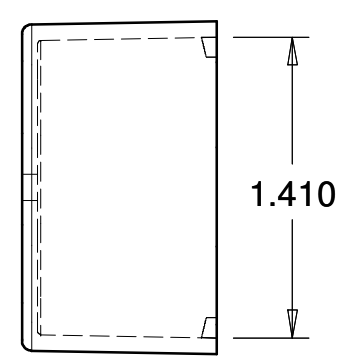
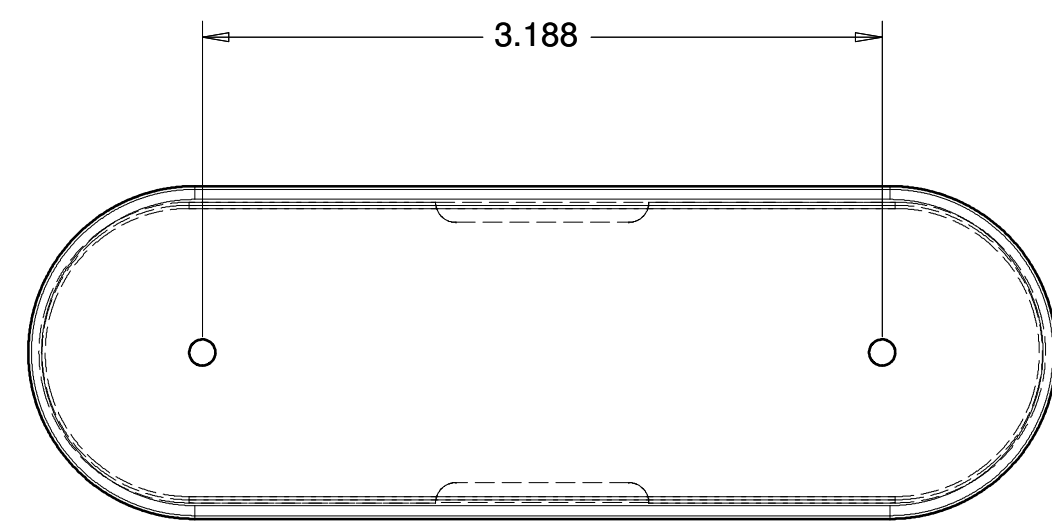


8 7 6 5 4 3 2 1



THIS DOCUMENT CONTAINS CONFIDENTIAL AND PROPRIETARY INFORMATION, AND MAY NOT BE USED, COPIED OR DISCLOSED IN WHOLE OR IN PART FOR ANY PURPOSE INCLUDING DESIGN OR MANUFACTURE WITHOUT THE PRIOR WRITTEN CONSENT OF DOYLE MANUFACTURING INC.

REVISION	DESCRIPTION		BY	DATE
DRAWN	DATE		DOYLE MANUFACTURING INC. MAKING PLASTIC MOLDS SINCE 1975. 1440 HOLLOWAY ROAD QUALITY CERTIFIED HOLLAND, OHIO 43528 ISO/TS16949:2002	
D. WATERS				
TOLERANCE UNLESS SPECIFIED				
.X = +/- .060		.XXX = +/- .010		
.XX = +/- .030		.XXXX = +/- .005		
CUSTOMER	PART NO.	PART NAME		
SHAMROCK	FC-SH6	BATTERY TERMINAL PROTECTOR		
MATERIAL	SHRINKAGE	JOB #	SHT	
PP		07-30	1	
COLOR	UNITS		OF	
	INCHES		1	

8 7 6 5 4 3 2 1