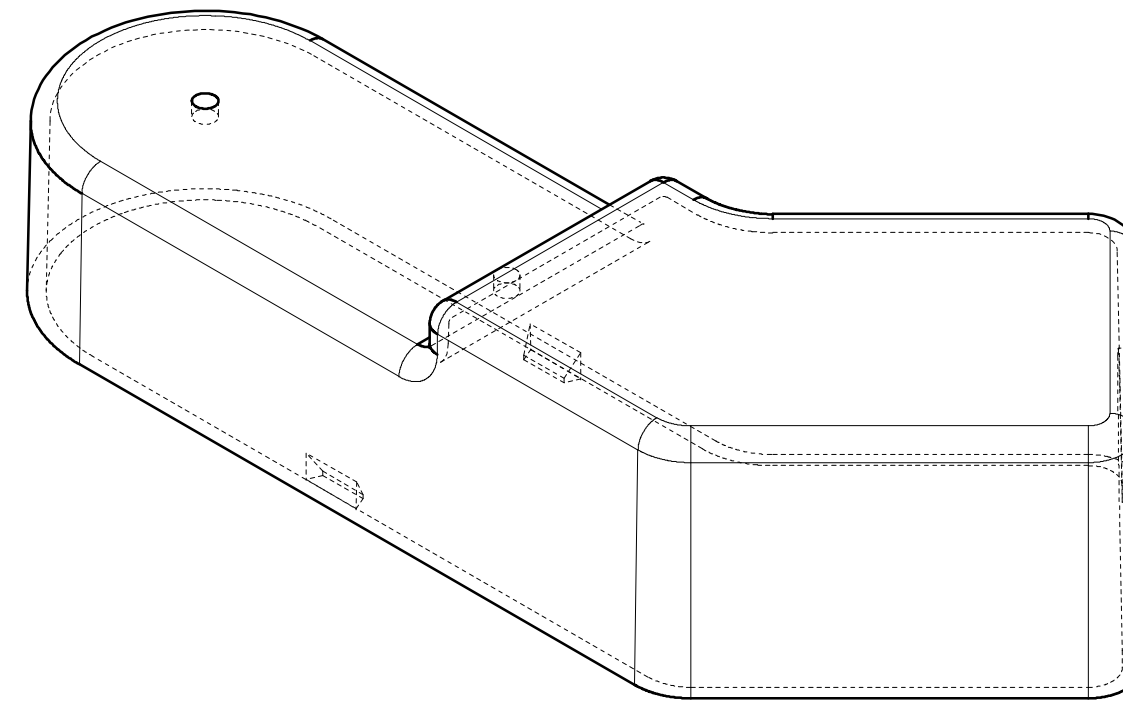


NOTE- D-300-R-45 IS SHOWN ABOVE.
 D-300-L-45 (NOT SHOWN) IS MIRROR IMAGE.

THIS DOCUMENT CONTAINS CONFIDENTIAL AND PROPRIETARY INFORMATION, AND MAY NOT BE USED, COPIED OR DISCLOSED IN WHOLE OR IN PART FOR ANY PURPOSE INCLUDING DESIGN OR MANUFACTURE WITHOUT THE PRIOR WRITTEN CONSENT OF DOYLE MANUFACTURING INC.



REVISION	DESCRIPTION		BY	DATE
DRAWN	D. WATERS	DATE	DOYLE MANUFACTURING INC. MAKING PLASTIC MOLDS SINCE 1975. 1440 HOLLOWAY ROAD QUALITY CERTIFIED HOLLAND, OHIO 43528 ISO/TS16949:2002	
TOLERANCE UNLESS SPECIFIED				
X = +/- .060		XXX = +/- .010	PART NO. PART NAME D-300-R-45 BATTERY TERMINAL COVER D-300-L-45	
XX = +/- .030		XXXX = +/- .005		
CUSTOMER	SHAMROCK	PART NO.	JOB #	SHT
MATERIAL	PP	SHRINKAGE		1
COLOR		UNITS		OF
		INCHES		1