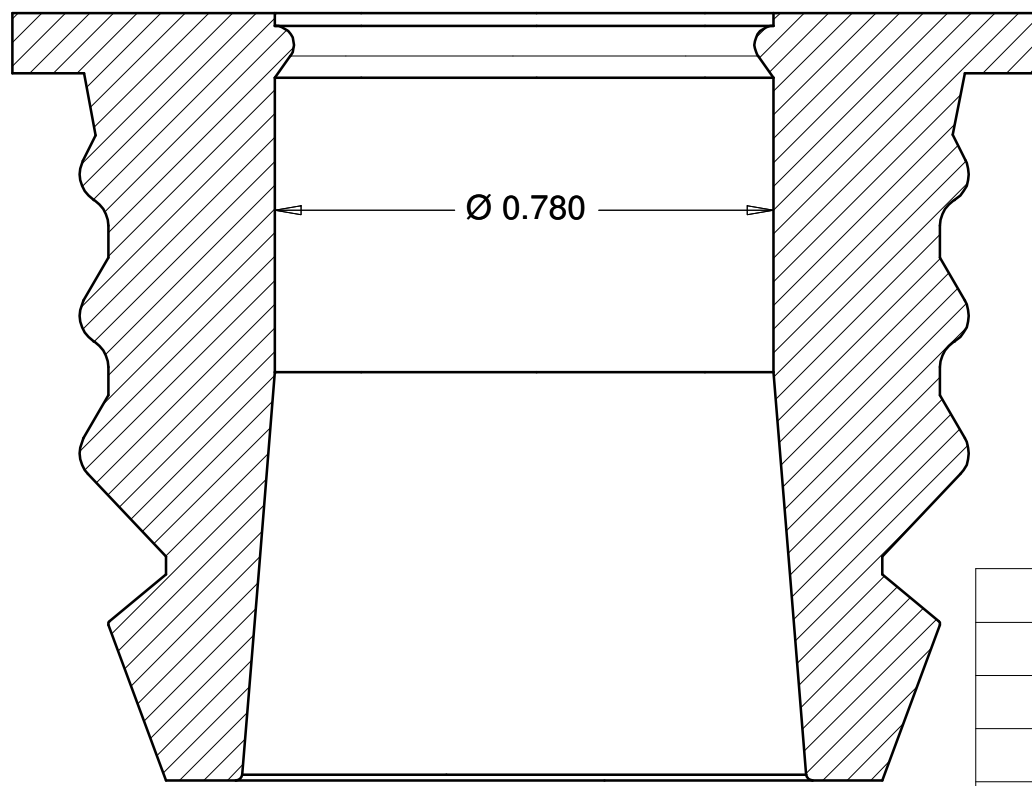
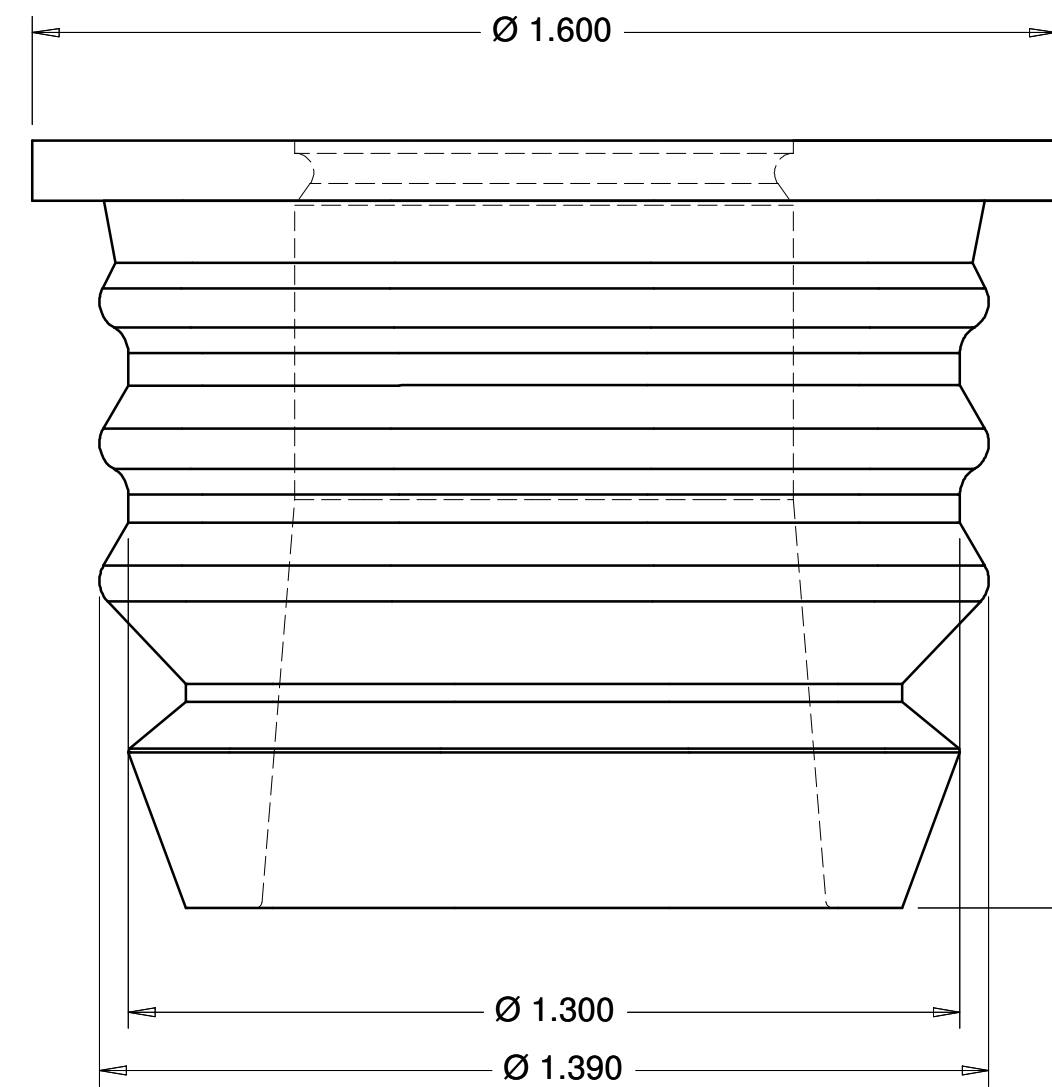
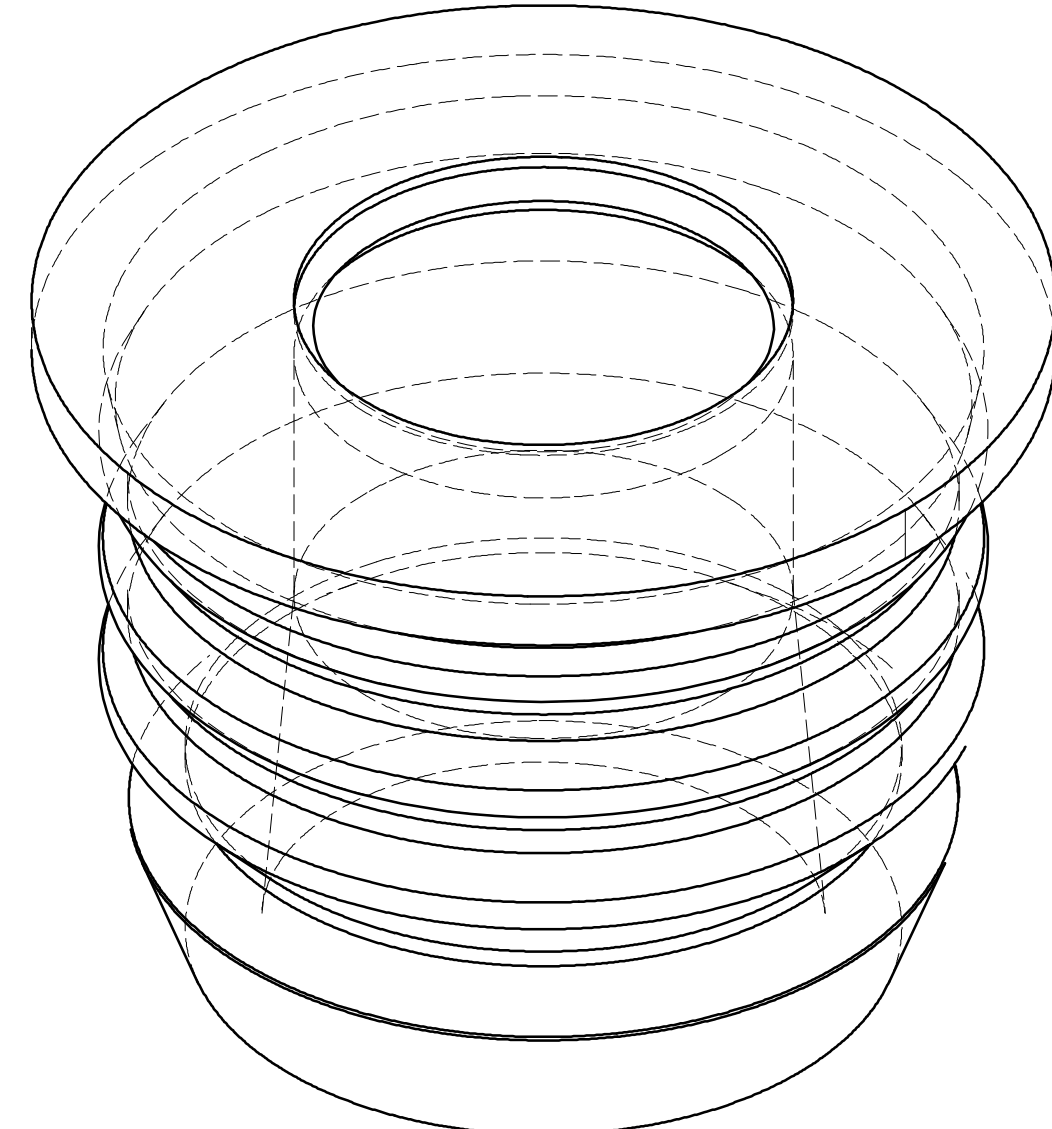
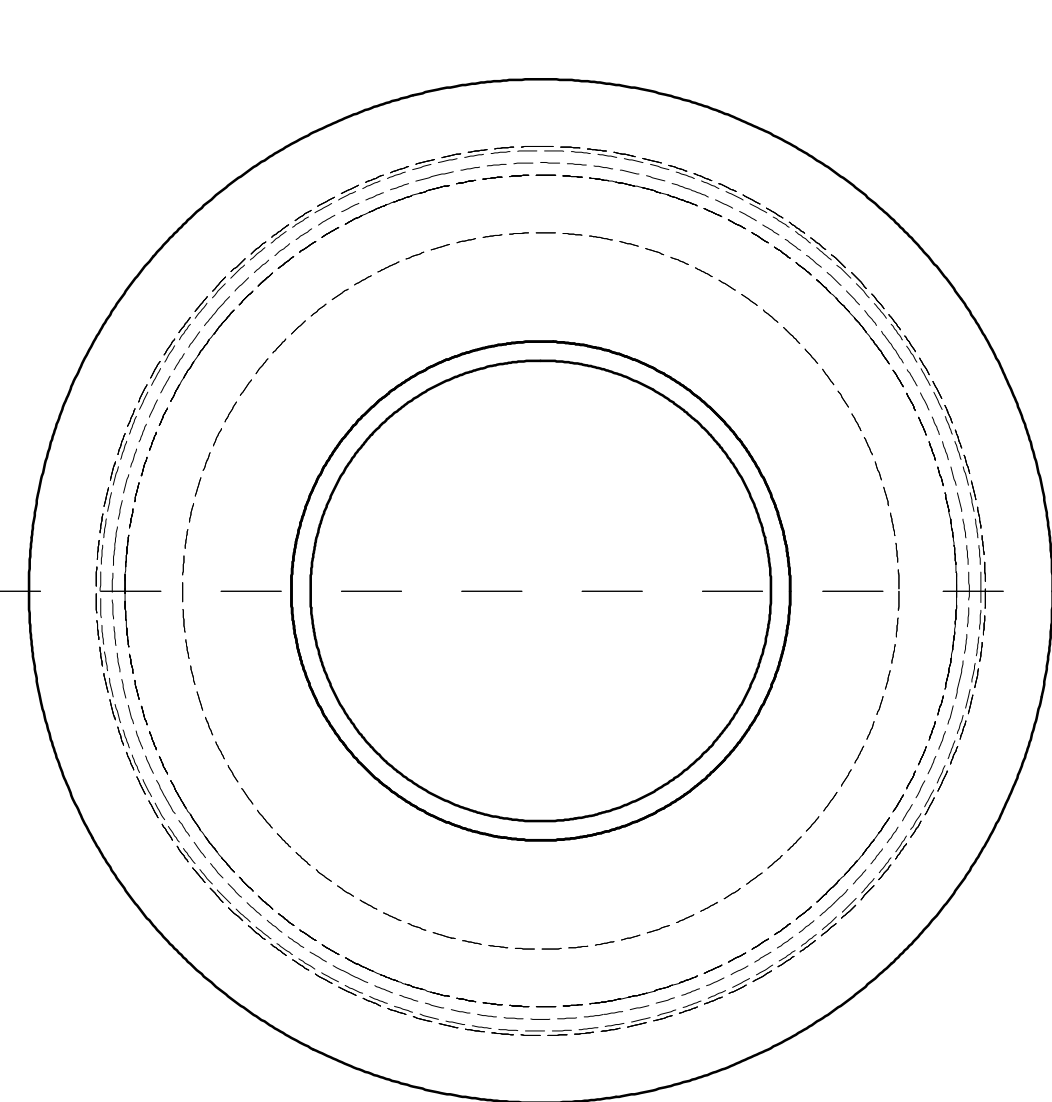


8 7 6 5 4 3 2 1

E
D
C
B
A



THIS DOCUMENT CONTAINS CONFIDENTIAL AND PROPRIETARY INFORMATION, AND MAY NOT BE USED, COPIED OR DISCLOSED IN WHOLE OR IN PART FOR ANY PURPOSE INCLUDING DESIGN OR MANUFACTURE WITHOUT THE PRIOR WRITTEN CONSENT OF DOYLE MANUFACTURING INC.

REVISION		DESCRIPTION		BY	DATE
DRAWN		DATE		DOYLE MANUFACTURING INC. MAKING PLASTIC MOLDS SINCE 1975. 1440 HOLLOWAY ROAD QUALITY CERTIFIED HOLLAND, OHIO 43528 ISO/TS16949:2002	
D. WATERS					
TOLERANCE UNLESS SPECIFIED					
.X = +/- .060		.XXX = +/- .010			
.XX = +/- .030		.XXXX = +/- .005			
CUSTOMER		PART NO.		PART NAME	
SHAMROCK		GNBB-R		BATTERY LID BUSHING (POSITIVE)	
MATERIAL		SHRINKAGE		JOB #	
SANTOPRENE					
COLOR		UNITS		SHT	
BLACK		INCHES		1	
				OF	
				1	

8 7 6 5 4 3 2 1