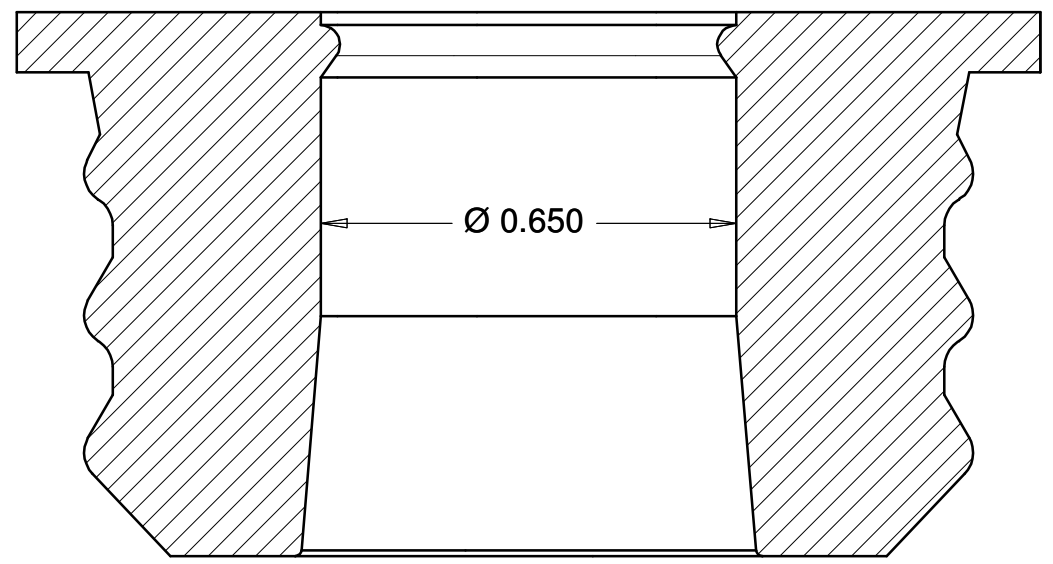
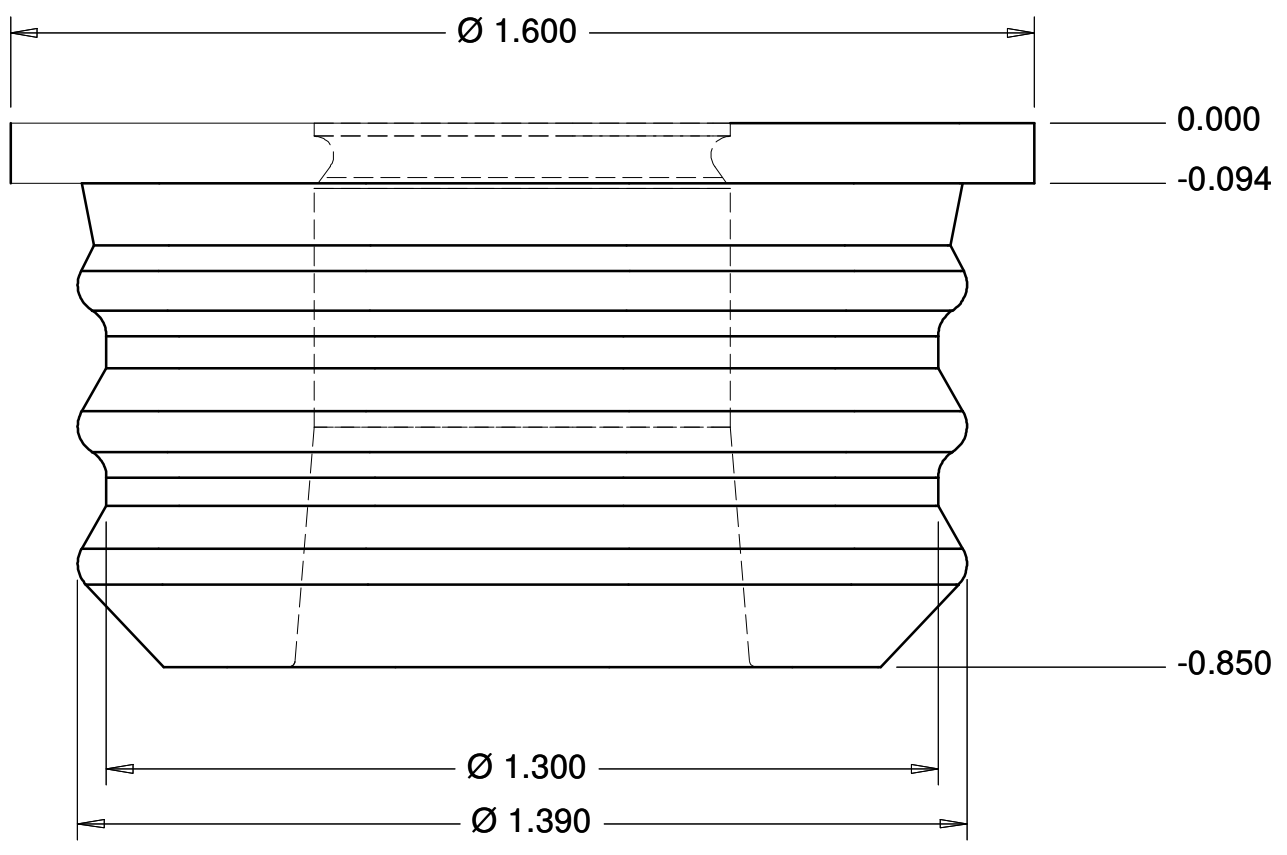
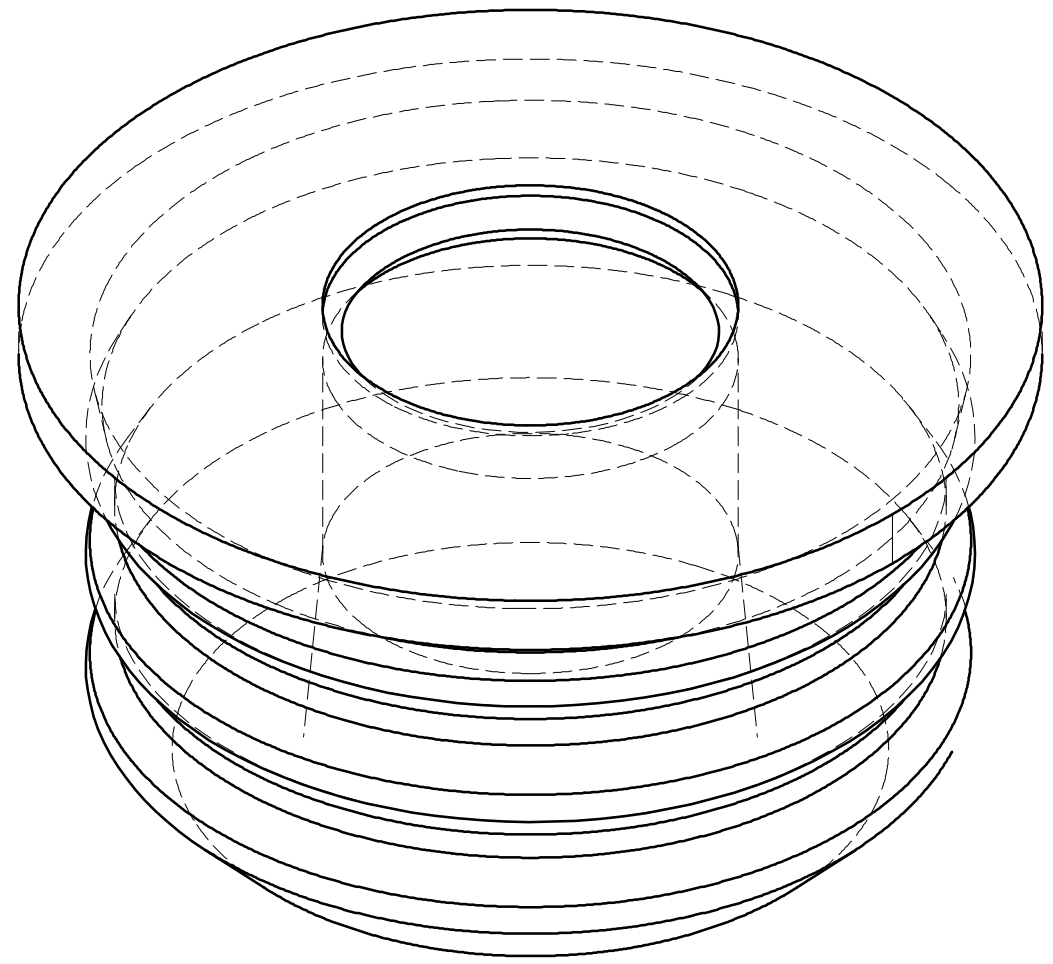
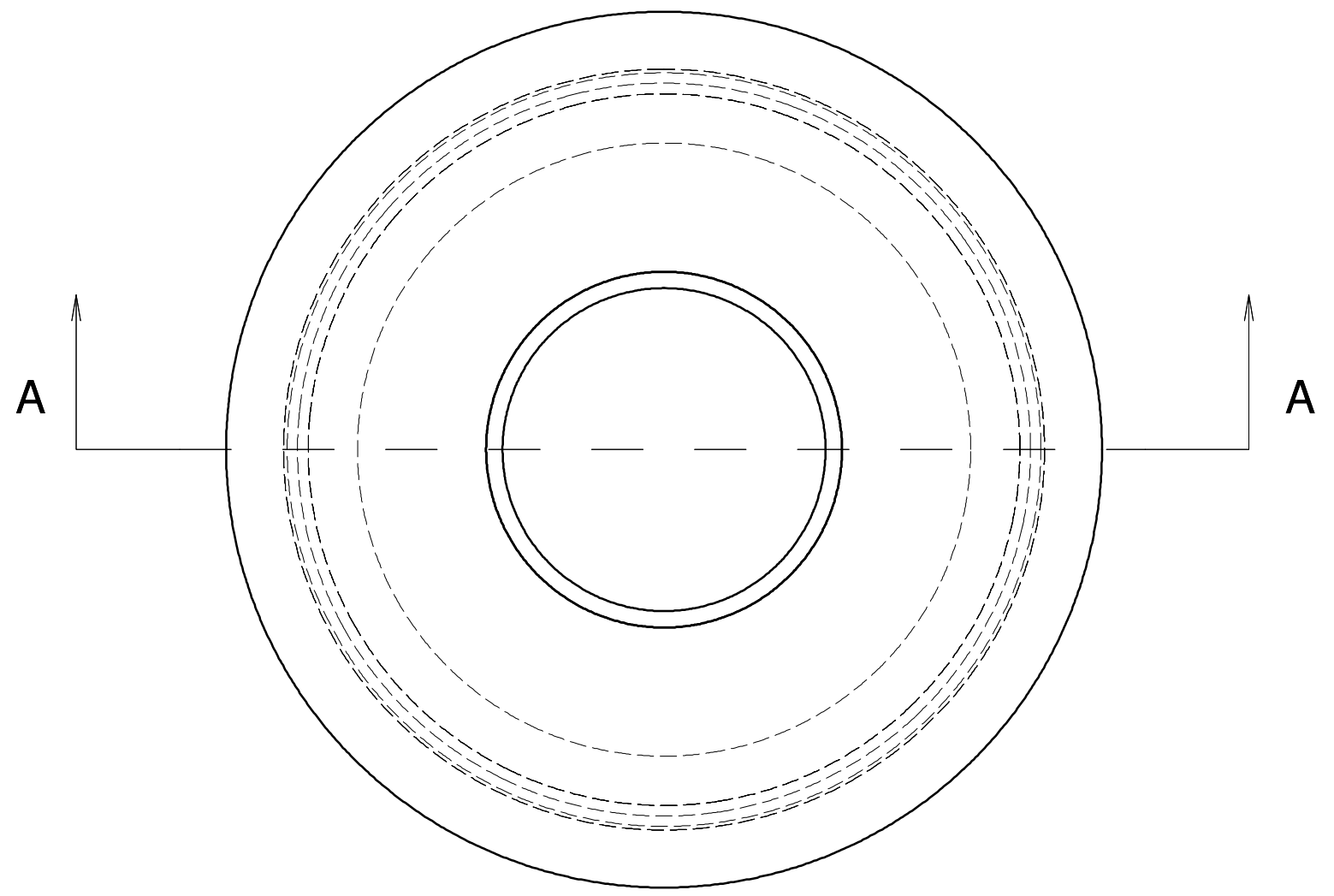


8 7 6 5 4 3 2 1

E D C B A

E D C B A



THIS DOCUMENT CONTAINS CONFIDENTIAL AND PROPRIETARY INFORMATION, AND MAY NOT BE USED, COPIED OR DISCLOSED IN WHOLE OR IN PART FOR ANY PURPOSE INCLUDING DESIGN OR MANUFACTURE WITHOUT THE PRIOR WRITTEN CONSENT OF DOYLE MANUFACTURING INC.

| REVISION  |                    | DESCRIPTION                                 | BY  | DATE |
|---|--------------------|---|---|------|
| DRAWN<br>D. WATERS  |                    | DATE  | <b>DOYLE MANUFACTURING INC.</b><br>MAKING PLASTIC MOLDS SINCE 1975.<br>1440 HOLLOWAY ROAD HOLLAND, OHIO 43528<br>QUALITY CERTIFIED ISO/TS16949:2002 |      |
| TOLERANCE UNLESS SPECIFIED<br>X = +/- .060<br>XX = +/- .030 |                    | XXX = +/- .010<br>XXXX = +/- .005           |   |      |
| CUSTOMER<br>SHAMROCK  | PART NO.<br>GNBB-B | PART NAME<br>BATTERY LID BUSHING (NEGATIVE) |   |      |
| MATERIAL<br>SANTOPRENE<br>COLOR<br>BLACK                    | SHRINKAGE          | JOB #                                       | SHT   | 1    |
|   | UNITS<br>INCHES    |   | OF  | 1    |

8 7 6 5 4 3 2 1