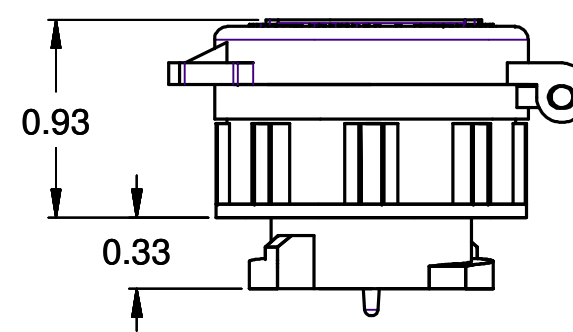
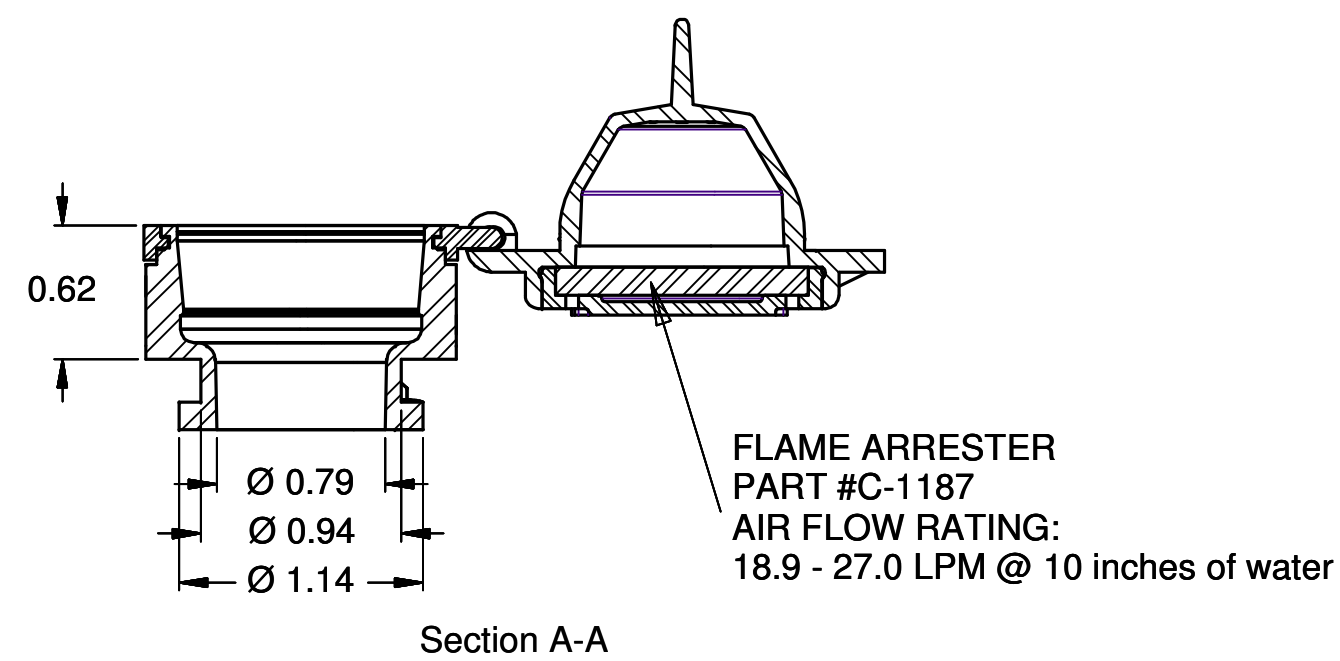
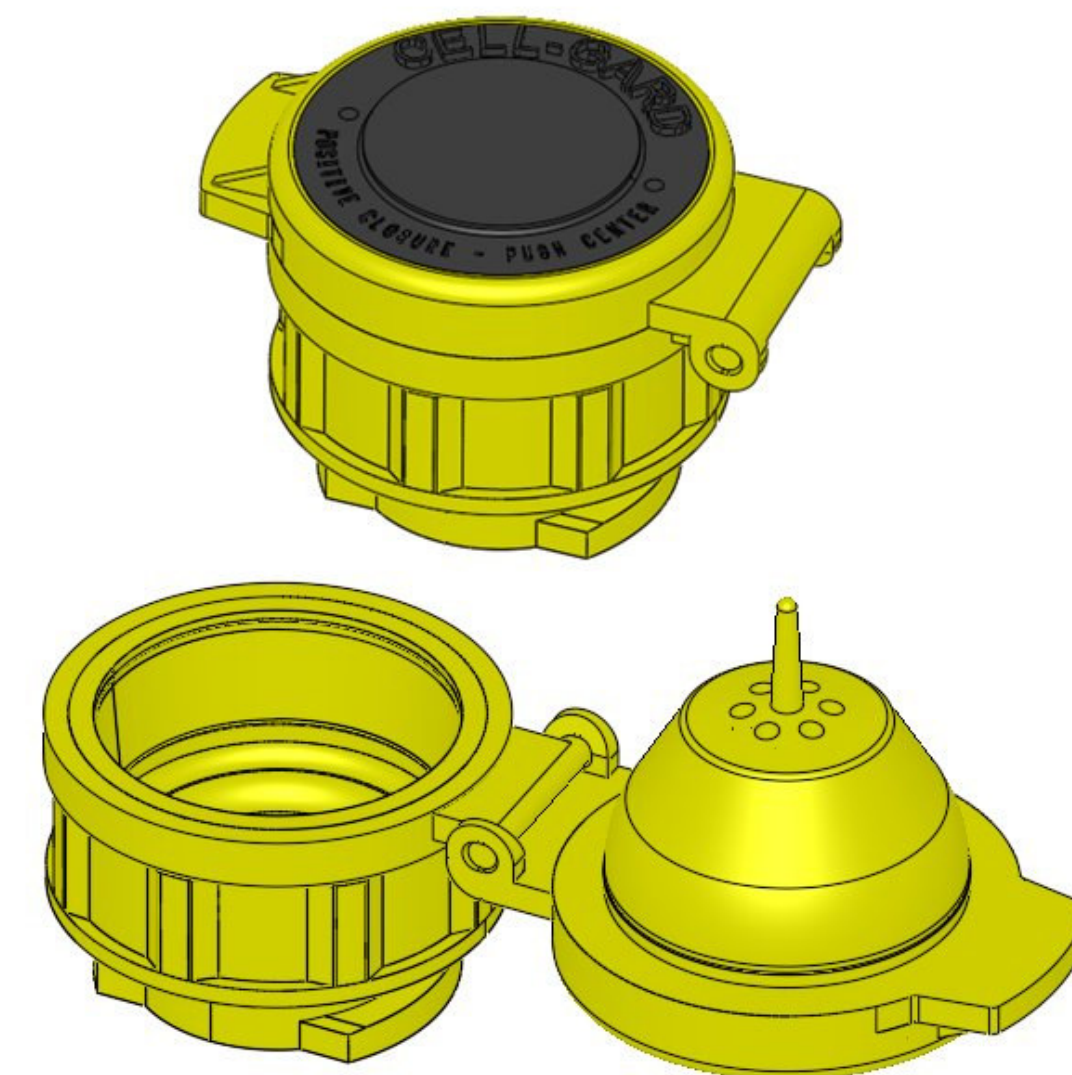
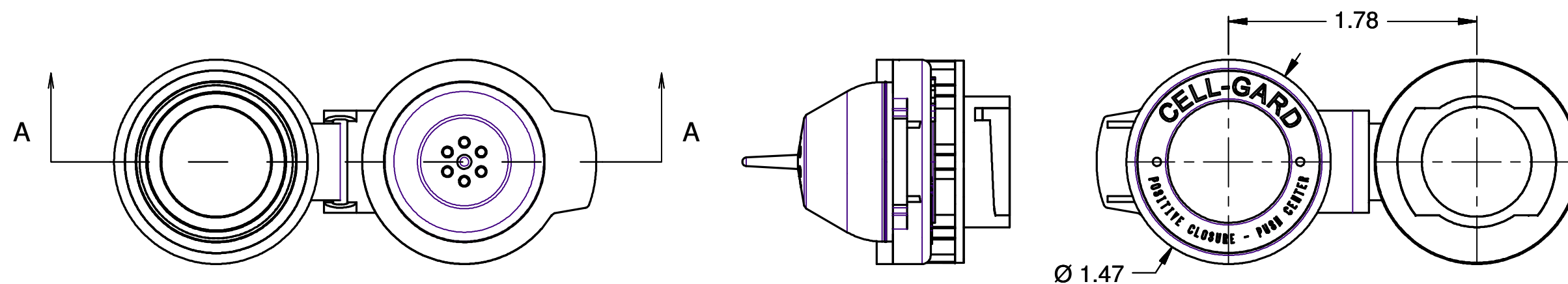


THIS DOCUMENT CONTAINS CONFIDENTIAL AND PROPRIETARY INFORMATION, AND MAY NOT BE USED, COPIED OR DISCLOSED IN WHOLE OR IN PART FOR ANY PURPOSE INCLUDING DESIGN OR MANUFACTURE WITHOUT THE PRIOR WRITTEN CONSENT OF DOYLE MANUFACTURING INC.



REVISION		DESCRIPTION		BY	DATE
DRAWN D. WATERS		DATE		DOYLE MANUFACTURING INC. MAKING PLASTIC MOLDS SINCE 1975. 1440 HOLLOWAY ROAD QUALITY CERTIFIED HOLLAND, OHIO 43528 ISO/TS16949:2002	
TOLERANCE UNLESS SPECIFIED X = +/- .060 .XXX = +/- .010 .XX = +/- .030 .XXXX = +/- .005					
CUSTOMER SHAMROCK		PART NO. 2025		PART NAME CELL GARD BATTERY VENT CAP	
MATERIAL PP		SHRINKAGE		JOB #	
COLOR		UNITS INCHES		SHT 1 OF 1	