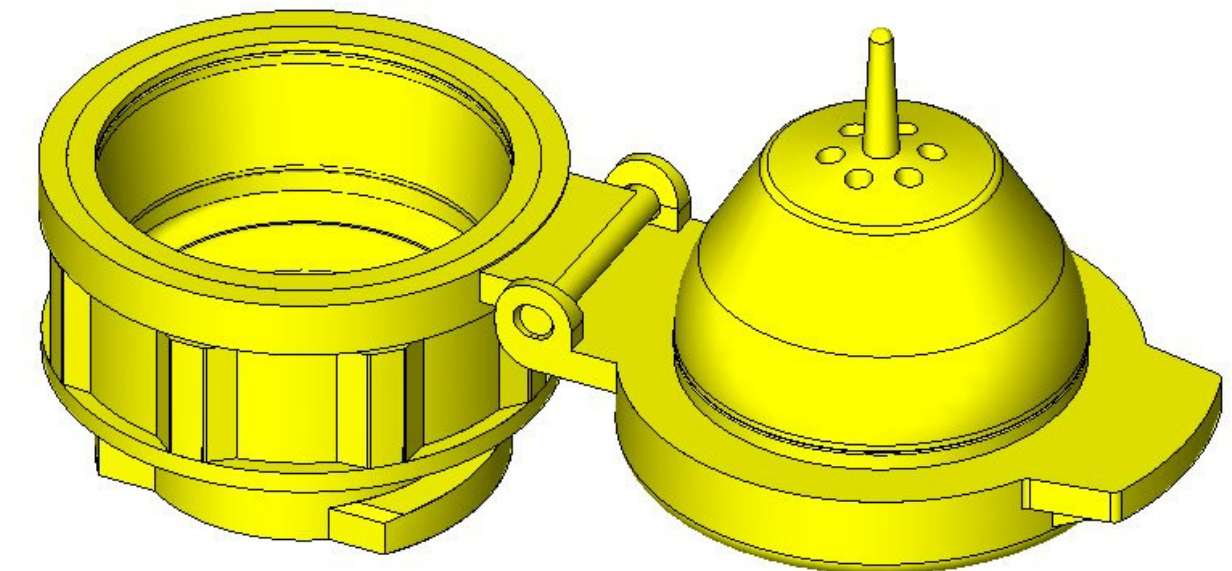
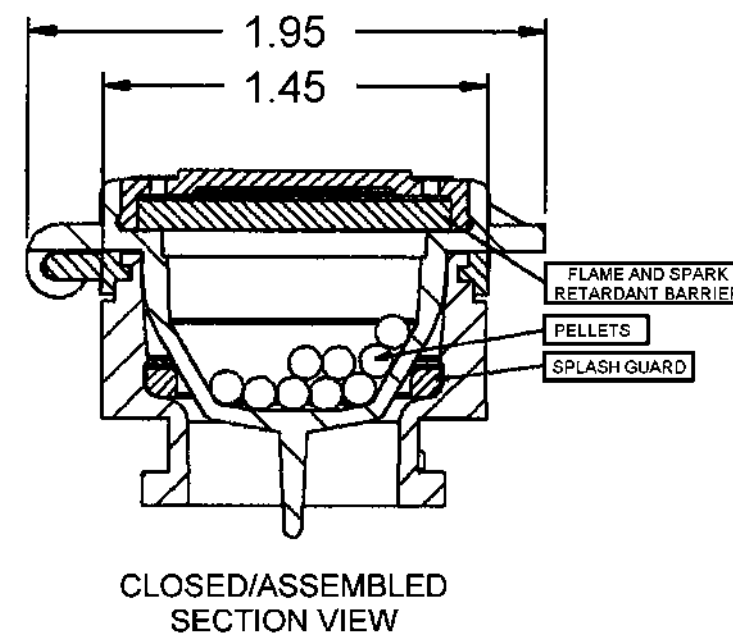


Section A-A

FLAME ARRESTER
PART #C-1187
AIR FLOW RATING:
18.9 - 27.0 LPM @ 10 inches of water



PART NAME	PART #	DIM. H
WATER MISER BATTERY VENT CAP	2000	.63
WATER MISER W/MEDIUM BODY BATTERY VENT CAP	2000C	.95
WATER MISER W/ EXTENDED BODY BATTERY VENT CAP	2000EX	1.13



CLOSED/ASSEMBLED SECTION VIEW

THIS DOCUMENT CONTAINS CONFIDENTIAL AND PROPRIETARY INFORMATION, AND MAY NOT BE USED, COPIED OR DISCLOSED IN WHOLE OR IN PART FOR ANY PURPOSE INCLUDING DESIGN OR MANUFACTURE WITHOUT THE PRIOR WRITTEN CONSENT OF DOYLE MANUFACTURING INC.

REVISION	DESCRIPTION	BY	DATE
DRAWN D. WATERS	DATE	DOYLE MANUFACTURING INC. MAKING PLASTIC MOLDS SINCE 1975. 1440 HOLLOWAY ROAD HOLLAND, OHIO 43528 QUALITY CERTIFIED ISO/TS16949:2002	
TOLERANCE UNLESS SPECIFIED			
X = +/- .060 XXX = +/- .010 XX = +/- .030 XXXX = +/- .005			
CUSTOMER SHAMROCK	PART NO. SEE CHART	PART NAME SEE CHART	
MATERIAL PP	SHRINKAGE	JOB #	SHT 1
COLOR	UNITS INCHES		OF 1