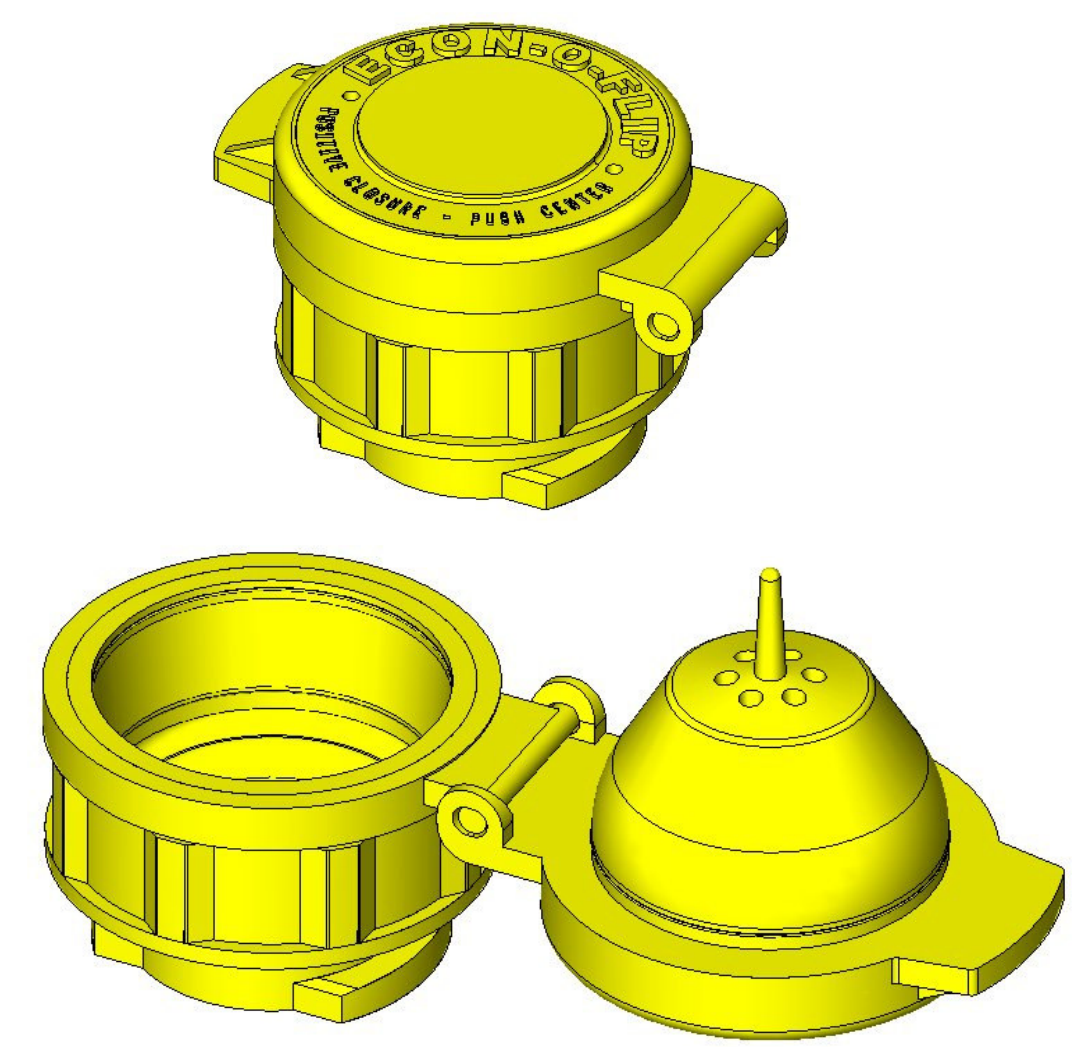
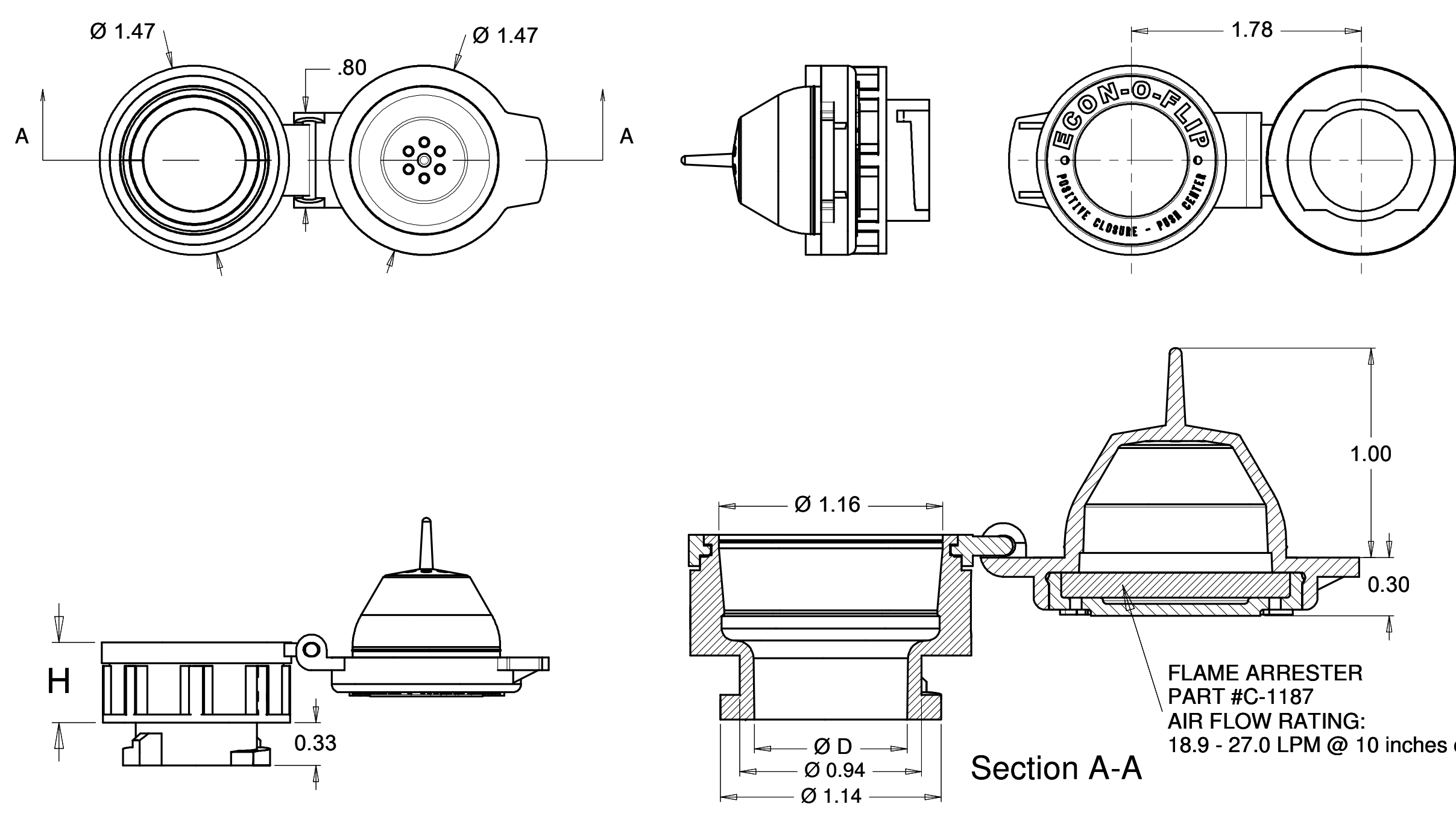
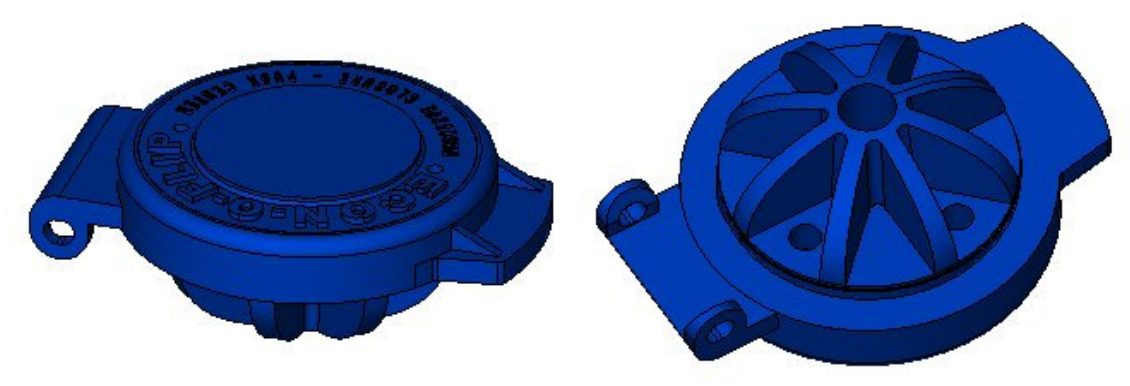
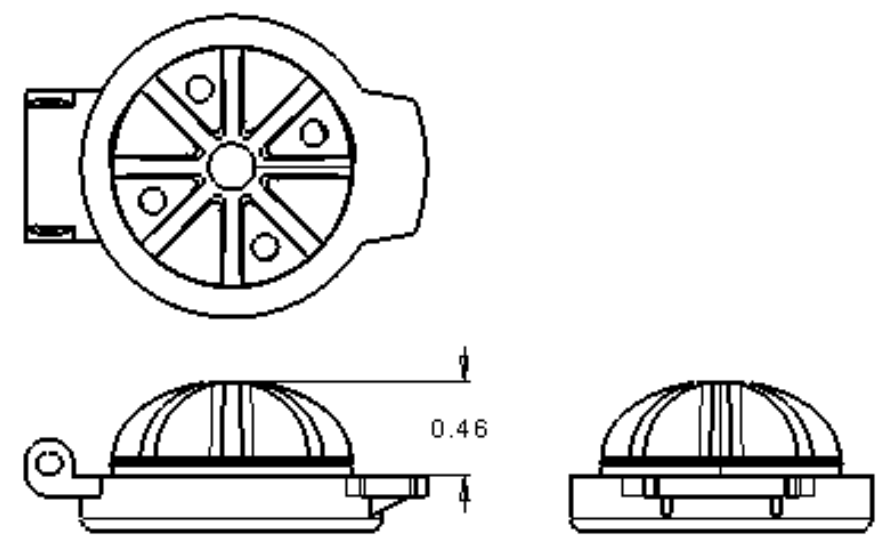


THIS DOCUMENT CONTAINS CONFIDENTIAL AND PROPRIETARY INFORMATION, AND MAY NOT BE USED, COPIED OR DISCLOSED IN WHOLE OR IN PART FOR ANY PURPOSE INCLUDING DESIGN OR MANUFACTURE WITHOUT THE PRIOR WRITTEN CONSENT OF DOYLE MANUFACTURING INC.



PART NAME	PART #	DIM. H	DIM. D
ECONO-FLIP BATTERY VENT CAP	2050	.63	.80
ECONO-FLIP BATTERY VENT CAP WITH DEKA LOGO	2050-D	.63	.80
ECONO-FLIP W/MEDIUM BODY BATTERY VENT CAP	2050CE	.95	.80
ECONO-FLIP el W/MEDIUM BODY BATTERY VENT CAP	2050C	.95	.89
EXTENDED BODY ECONO-FLIP BATTERY VENT CAP	2050EX	1.13	.80

OPTIONAL LID



REVISION	DESCRIPTION	BY	DATE
<p>DOYLE MANUFACTURING INC. MAKING PLASTIC MOLDS SINCE 1975. 1440 HOLLOWAY ROAD HOLLAND, OHIO 43528 QUALITY CERTIFIED ISO/TS16949:2002</p>			
DRAWN D. WATERS	DATE	PART NAME SEE CHART	
TOLERANCE UNLESS SPECIFIED X = +/- .060 XX = +/- .030	XXX = +/- .010 XXXX = +/- .005	PART NO. SEE CHART	JOB #
CUSTOMER SHAMROCK	MATERIAL PP	COLOR	SHT 1 OF 1
	SHRINKAGE	UNITS INCHES	