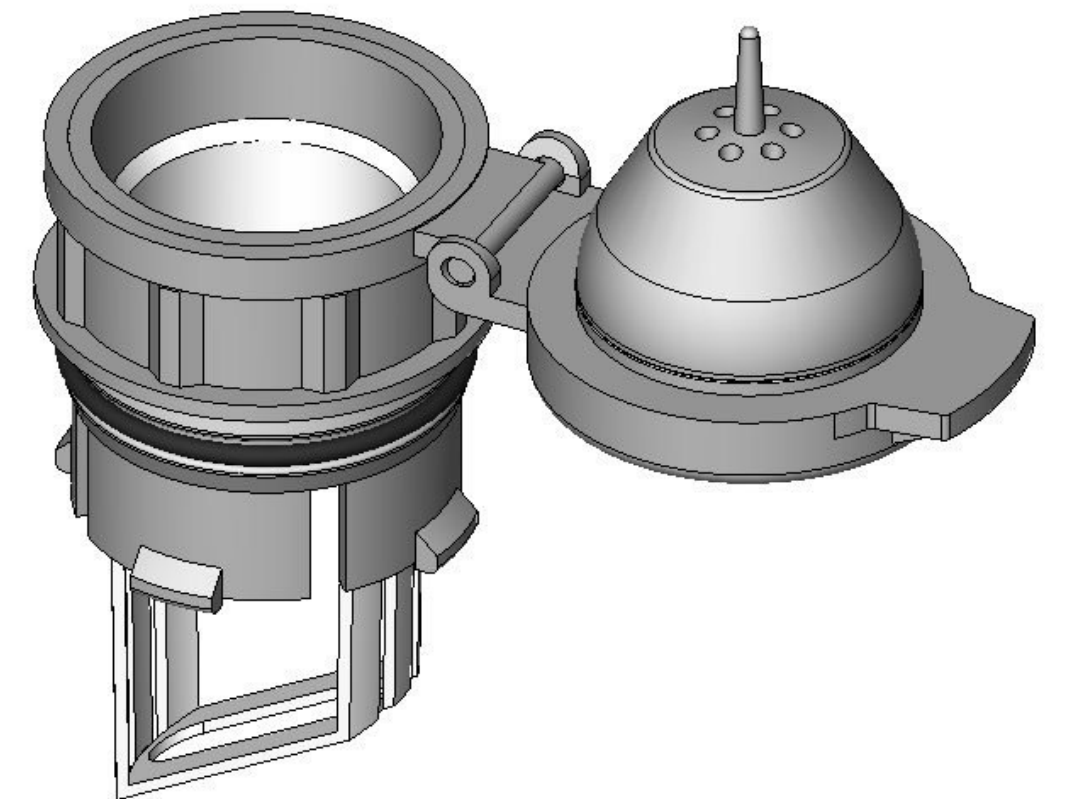


FLAME ARRESTER
 PART #C-1187
 AIR FLOW RATING:
 18.9 – 27.0 LPM @ 10 inches of water

Section A-A



THIS DOCUMENT CONTAINS CONFIDENTIAL AND PROPRIETARY INFORMATION, AND MAY NOT BE USED, COPIED OR DISCLOSED IN WHOLE OR IN PART FOR ANY PURPOSE INCLUDING DESIGN OR MANUFACTURE WITHOUT THE PRIOR WRITTEN CONSENT OF DOYLE MANUFACTURING INC.

REVISION	DESCRIPTION		BY	DATE
DRAWN	D. WATERS	DATE	DOYLE MANUFACTURING INC. MAKING PLASTIC MOLDS SINCE 1975. 1440 HOLLOWAY ROAD HOLLAND, OHIO 43528 QUALITY CERTIFIED ISO/TS16949:2002	
TOLERANCE UNLESS SPECIFIED				
CUSTOMER	SHAMROCK	PART NO.	2075	PART NAME
MATERIAL	PP	SHRINKAGE		PUSH-IN ECONO-FLIP BATTERY VENT CAP
COLOR		UNITS	INCHES	JOB #
				SHT
				1
				OF
				1