

THE FLAME ARRESTOR FUNCTIONALITY HAS BEEN TESTED AND CERTIFIED BY AN INDEPENDENT LAB.



22325 West State Route 51
Genoa, Ohio 43430
PH: 419 855 3389

Battery Flame Retardant Venting Report

Job No.	Date Received	Condition	Acquisition Plan
L-1928	4/15/13	Good	A

Requested by:
Chad Doyle
Doyle Shamrock Industries
1440 Holloway Road
Holland, OH 43528

Test Specification	Test Battery (s) used
SAE J1495, August 2012	1928 #1

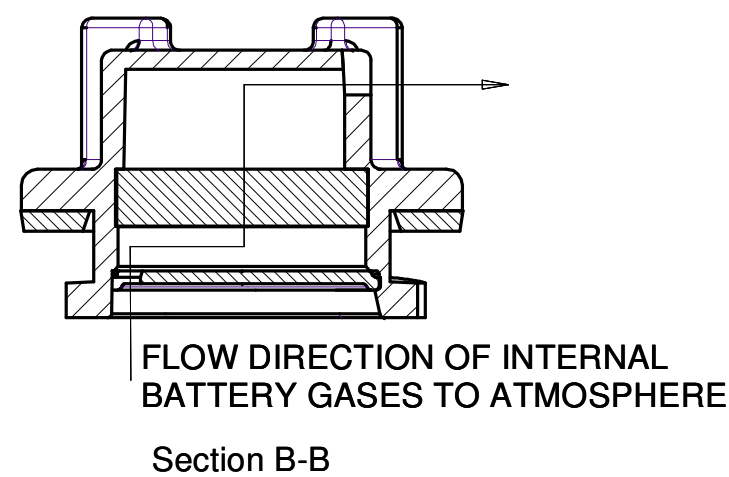
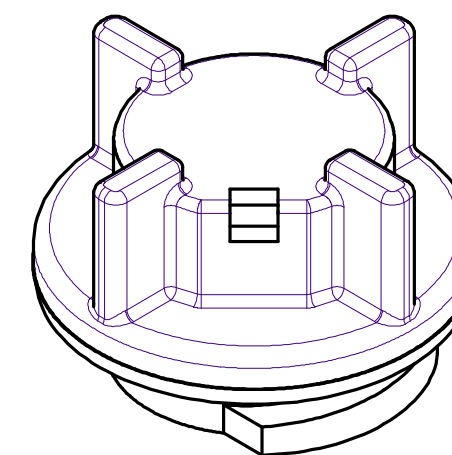
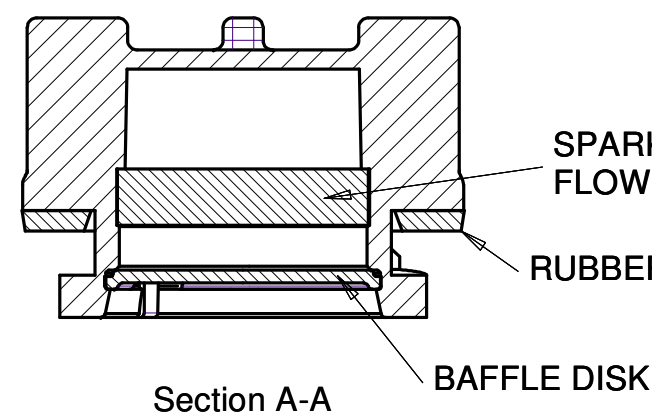
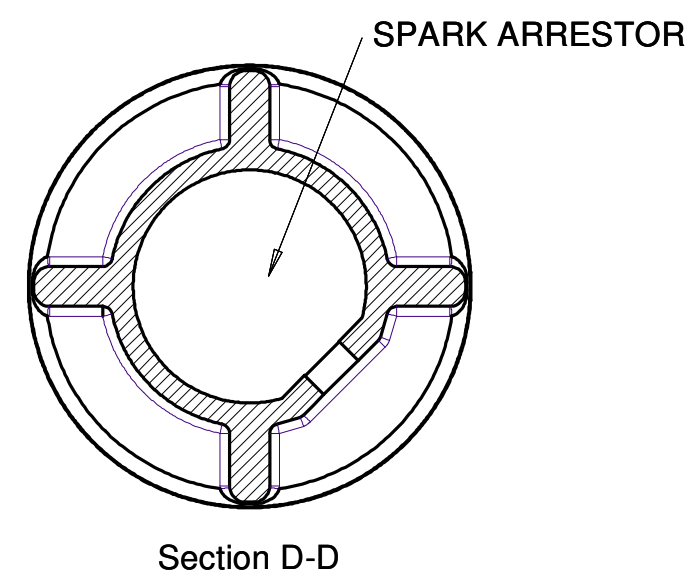
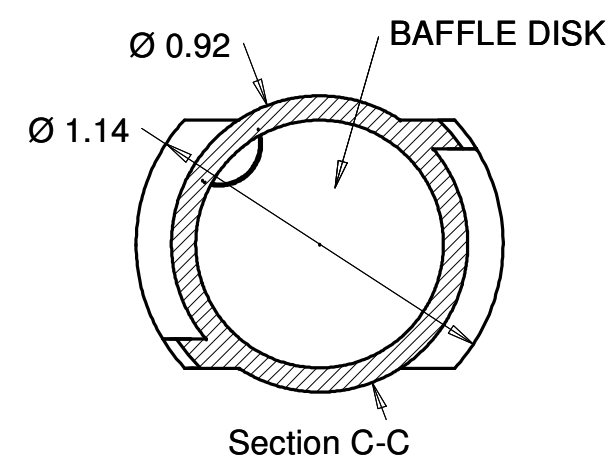
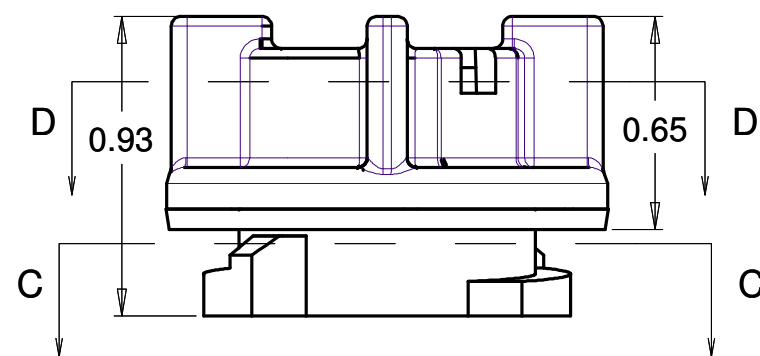
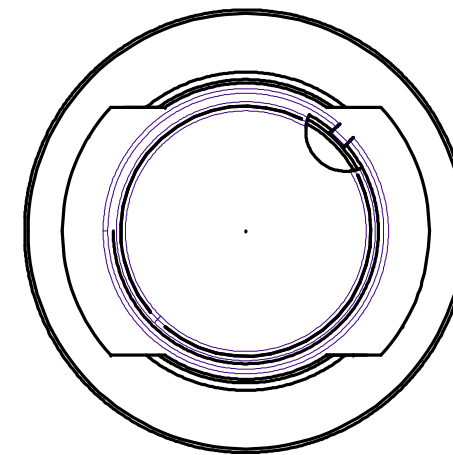
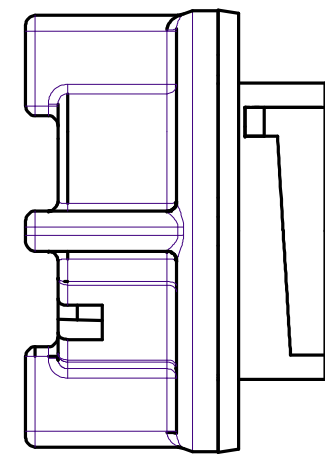
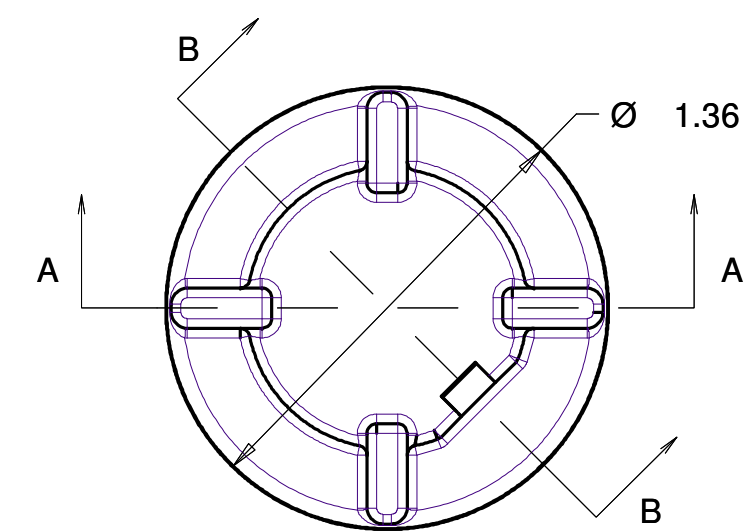
Vent	Start Date	Start Time	End Date	End Time
Pre-Conditioning	4/17/13	10:00 AM	4/19/13	9:15 AM

Batt No.	P/N	Mfr.	Vent #	5 minute Chg amps	Spark 1	Spark 2	Spark 3	Spark 4	Spark 5	Spark 6	Date	Time
1	Doyle Yellow	Shamrock	Vent 1	25.00	PP	PP	PP	PP	PP	PP	4/19/13	11:12 AM
1	Doyle Yellow	Shamrock	Vent 2	25.00	PP	PP	PP	PP	PP	PP	4/19/13	11:20 AM
1	Doyle Yellow	Shamrock	Vent 3	25.00	PP	PP	PP	PP	PP	PP	4/19/13	11:24 AM
1	Doyle Yellow	Shamrock	Vent 4	25.00	PP	PP	PP	PP	PP	PP	4/19/13	11:26 AM

P = Pass PP = Pass/Pop

JBI Corporation letters, it's name, logo, reports and data are for the exclusive use of our customers to whom they are addressed and shall not be reproduced without the written approval of JBI Corporation. JBI Corporation letters and reports apply only to those samples tested, and are not necessarily indicative of the qualities of apparent identical or similar products.

Prepared by: Joseph Badger
President 4/19/13
Page 1 of 1



THIS DOCUMENT CONTAINS CONFIDENTIAL AND PROPRIETARY INFORMATION, AND MAY NOT BE USED, COPIED OR DISCLOSED IN WHOLE OR IN PART FOR ANY PURPOSE INCLUDING DESIGN OR MANUFACTURE WITHOUT THE PRIOR WRITTEN CONSENT OF DOYLE MANUFACTURING INC.

REVISION	DESCRIPTION	BY	DATE
A	REMOVED INTERNAL RIBS, ADDED ROUND SPARK ARRESTOR PKT.	DW	2/27/2013
DRAWN		DATE	
D. WATERS		5/2/11	
TOLERANCE UNLESS SPECIFIED			
.X = +/- .060		.XXX = +/- .010	
.XX = +/- .030		.XXXX = +/- .005	
CUSTOMER		PART NO.	
SHAMROCK		1070	
MATERIAL		SHRINKAGE	
PP			
COLOR		UNITS	
		INCHES	
PART NAME			SHT
#1070 BATTERY VENT CAP			1
JOB #			OF
2003-45			1

DOYLE MANUFACTURING INC.
MAKING PLASTIC MOLDS SINCE 1975.
1440 HOLLOWAY ROAD
HOLLAND, OHIO 43528
QUALITY CERTIFIED
ISO/TS16949:2002